

8

7

6

5

4

3

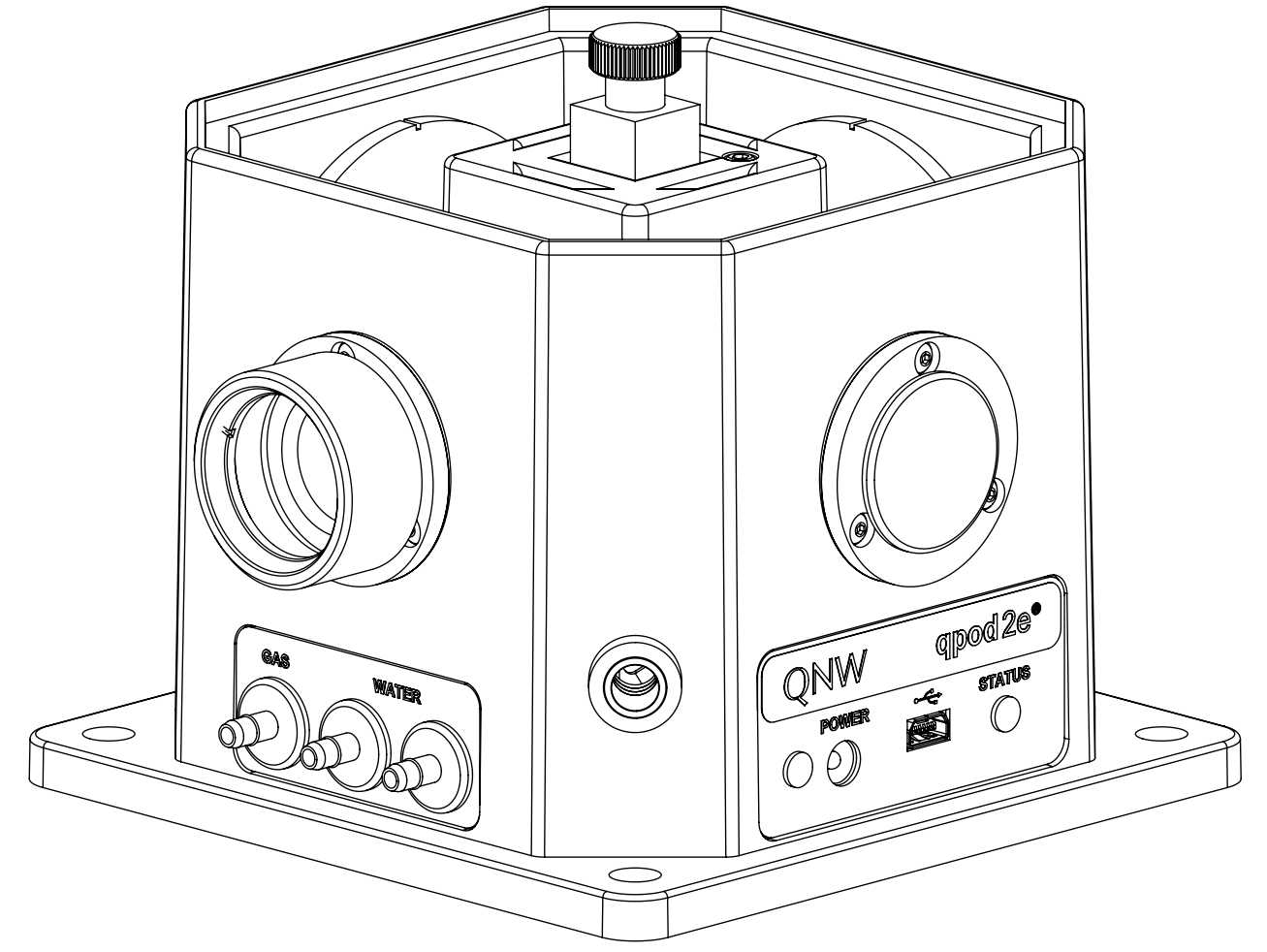
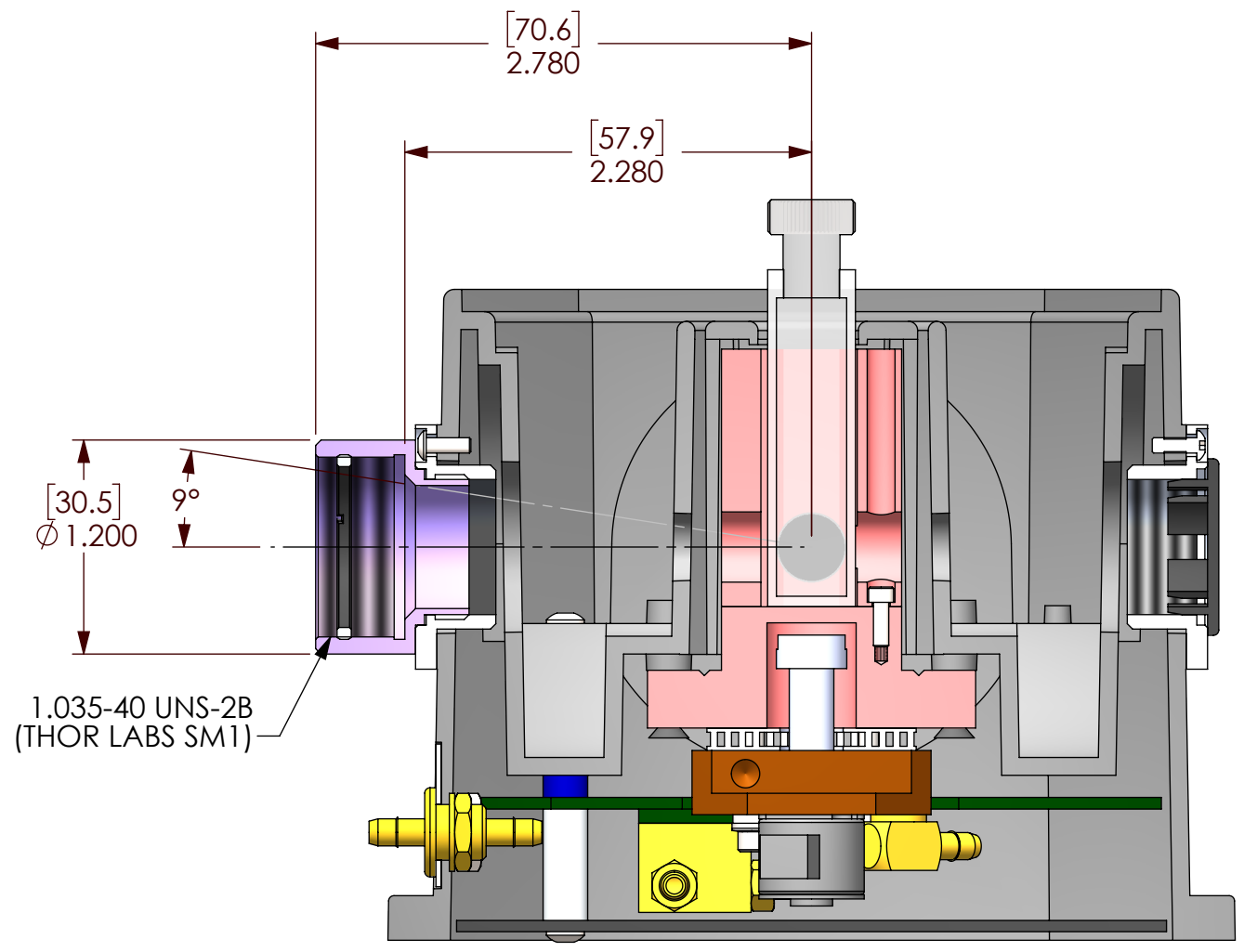
2

D

C

B

A



C

B

A

8

7

6

5

4

3

2

1

<p>THIS DOCUMENT CONTAINS PROPRIETARY INFORMATION AND MAY NOT BE REPRODUCED OR DISCLOSED IN WHOLE OR IN PART WITHOUT WRITTEN AUTHORIZATION FROM QUANTUM NORTHWEST</p>		<p><b>QUANTUM NORTHWEST</b> SPOKANE WASHINGTON</p>	
<p>DIMENSIONS ARE IN INCHES UNLESS OTHERWISE NOTED TOLERANCES ARE:                  DECIMALS ANGLES                  .XX = ± .02 X° = ±0.5°                  .XXX = ± .003</p>		<p>APPROVALS                  DRAWN SCH                  ENG                  MFG</p>	<p>DATE                  102308</p>
<p>THIRD ANGLE </p>		<p>SCALE: 1:1</p>	
<p>DO NOT SCALE FROM DRAWING</p>		<p>SIZE B</p>	<p>DWG NO. 25923</p>
		<p>REV. 4</p>	
		<p>SHEET 1 OF 1</p>	

qPOD 2e/8.5mm

REV. 4

SHEET 1 OF 1