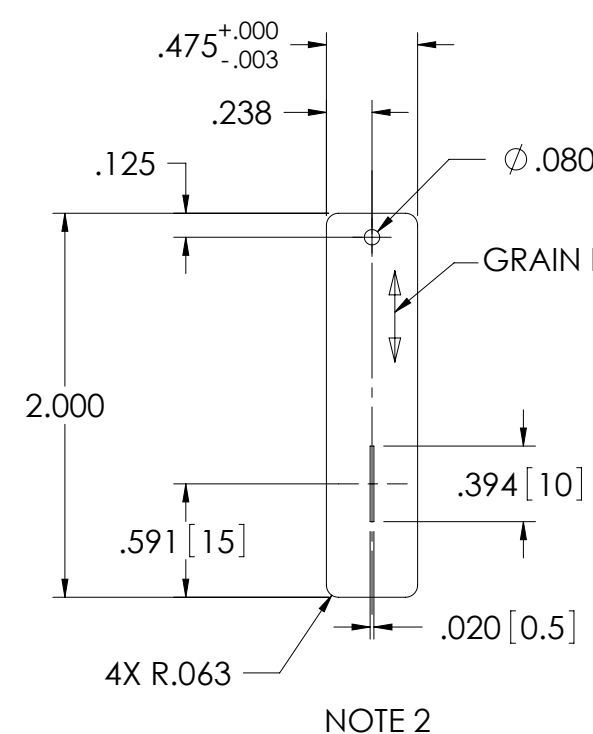
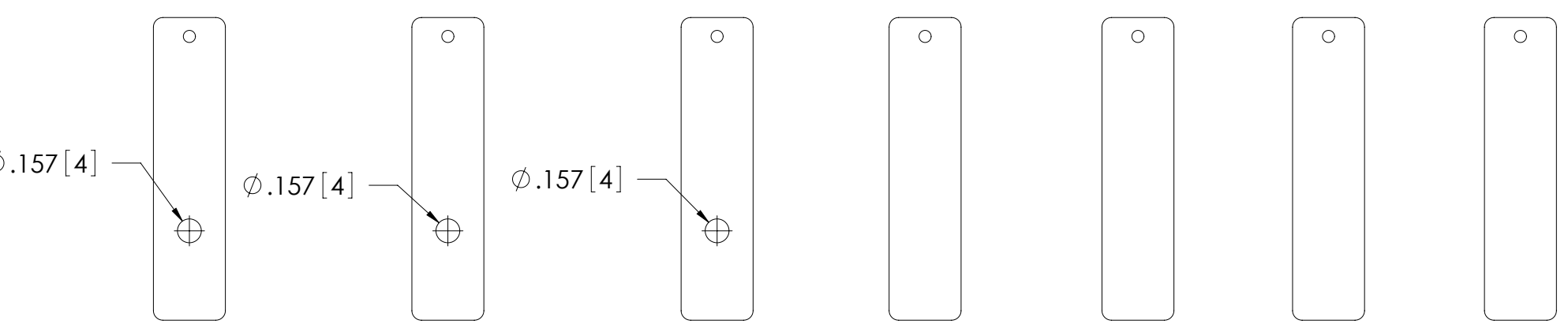
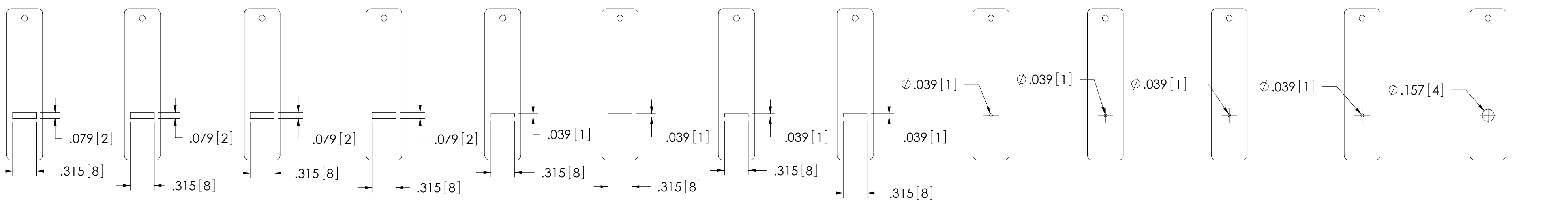
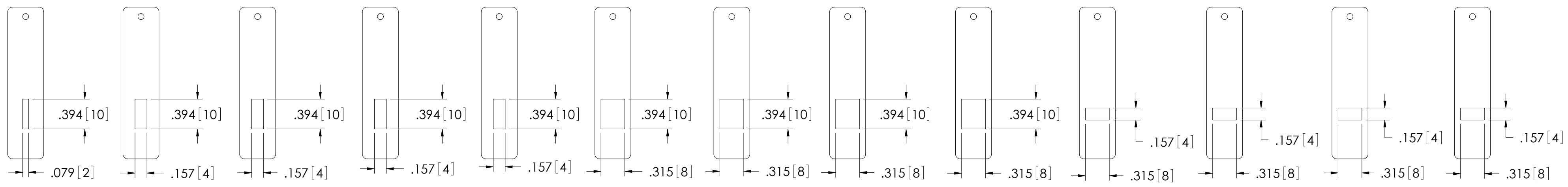
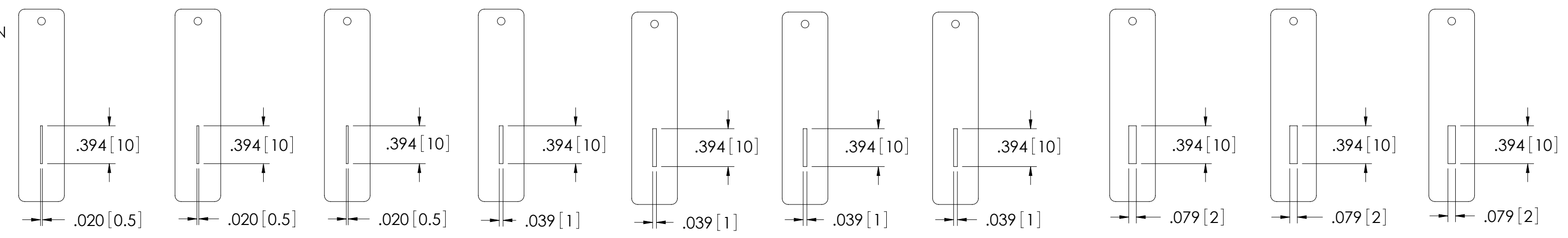


REVISIONS			
REV.	DESCRIPTION	DATE	APPROVED
3	CHA CONFIGURATIONS TO SAME AS STANDARD TURRET	11/4/2015	SH



NOTE 2



- NOTES:
1. MATERIAL: .012 THK PHOSPHOR BRONZE
  2. ALL DIMENSIONS ARE TYPICAL UNLESS OTHERWISE NOTED

THIS DOCUMENT CONTAINS PROPRIETARY INFORMATION AND MAY NOT BE REPRODUCED OR DISCLOSED IN WHOLE OR IN PART WITHOUT WRITTEN AUTHORIZATION FROM QUANTUM NORTHWEST		<b>QUANTUM NORTHWEST</b> SPOKANE WASHINGTON	
DIMENSIONS ARE IN INCHES UNLESS OTHERWISE NOTED TOLERANCES ARE:	APPROVALS	DATE	<b>SLITS, 15mm TURRET</b>
DECIMALS .XX = ± .02 .XXX = ± .003	DRAWN SCH	041504	
ANGLES X° = ± 1°	ENG		
THIRD ANGLE	MFG		SIZE C DWG NO. 25205 REV. 3
	SCALE: 1:1		DO NOT SCALE OFF DRAWING SH C:\CAD FILES\*-25205 SHEET 1 OF 1