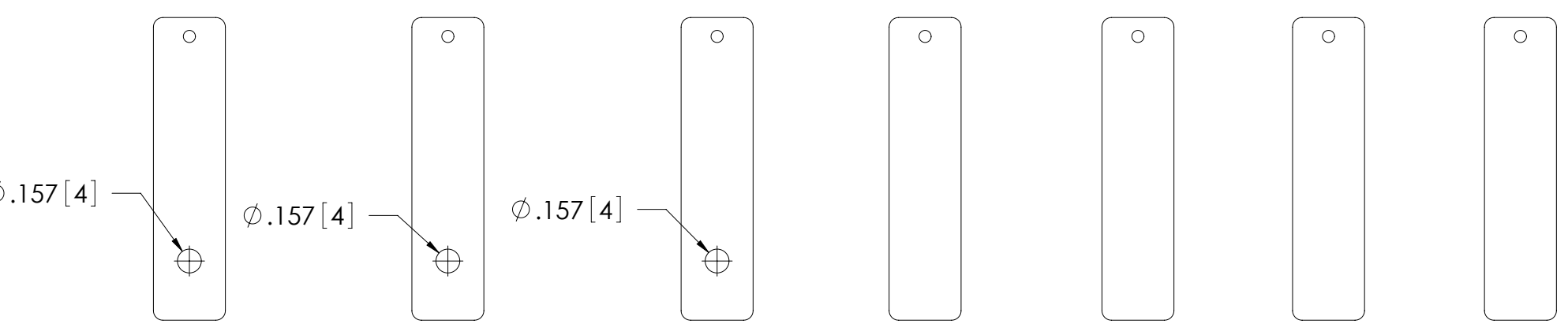
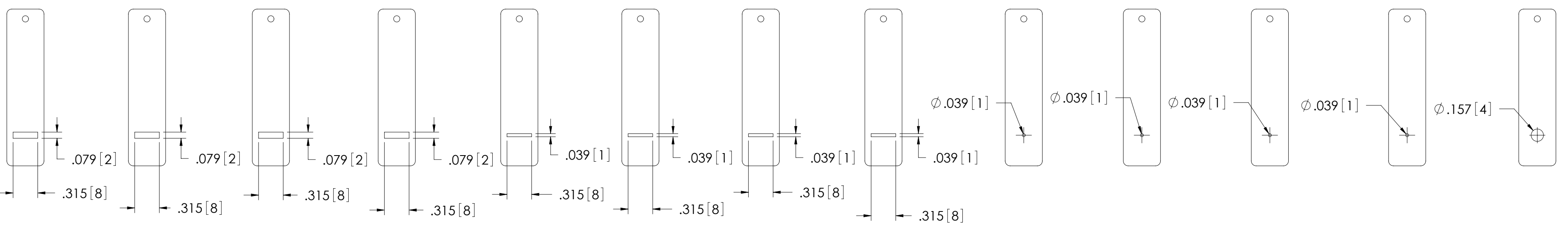
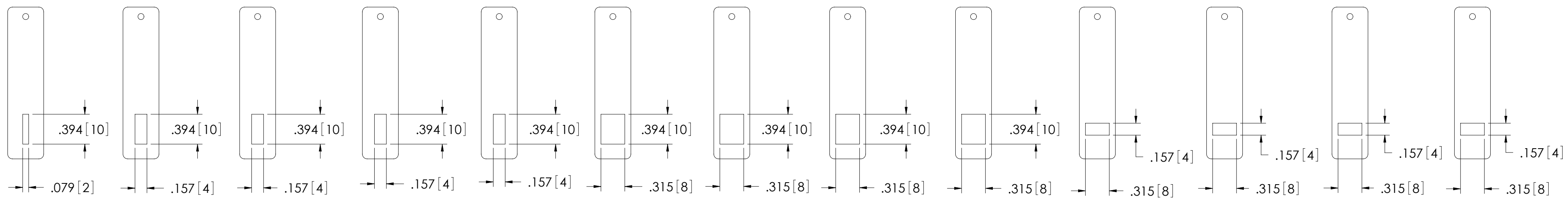
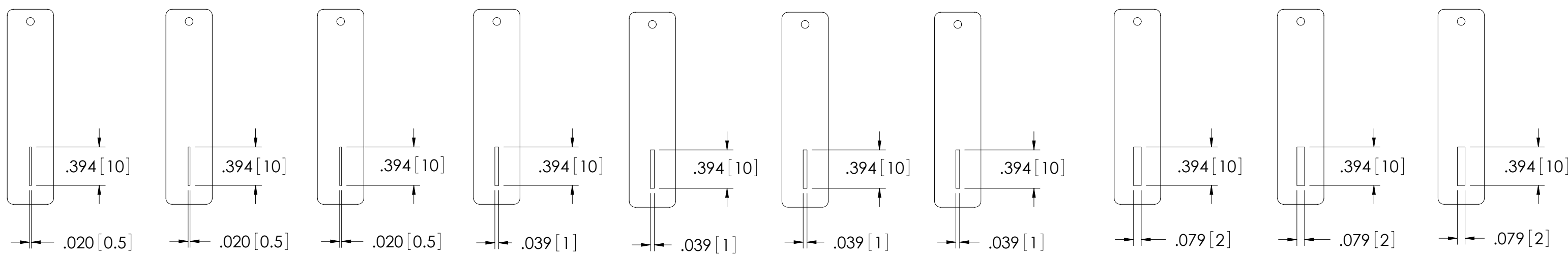
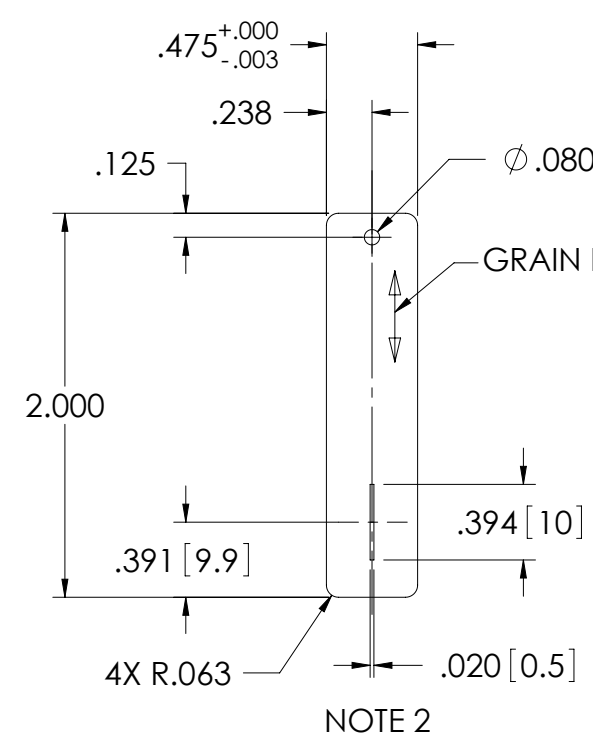


REVISIONS			
REV.	DESCRIPTION	DATE	APPROVED
5	CHA SLIT HEIGHTS, ADD ADDITIONAL SLITS	042503	SH
3	ADD .5MM SLIT	060702	SH
4	DEL NOTED SLITS + REARRANGE	061802	ASH



- NOTES:
1. MATERIAL: .012 THK PHOSPHOR BRONZE
 2. ALL DIMENSIONS ARE TYPICAL UNLESS OTHERWISE NOTED

THIS DOCUMENT CONTAINS PROPRIETARY INFORMATION AND MAY NOT BE REPRODUCED OR DISCLOSED IN WHOLE OR IN PART WITHOUT WRITTEN AUTHORIZATION FROM QUANTUM NORTHWEST		QUANTUM NORTHWEST SPOKANE WASHINGTON	
DIMENSIONS ARE IN INCHES UNLESS OTHERWISE NOTED TOLERANCES ARE:	APPROVALS	DATE	SLITS, TURRET
DECIMALS ANGLES	DRAWN	111300	
.XX = ± .02 .XXX = ± .003	ENG		
THIRD ANGLE	MFG		SCALE: 1:1
			SIZE C DWG NO. 24497 REV. 5
			DO NOT SCALE OFF DRAWING SH C:\CAD FILES*-24497 SHEET 1 OF 1