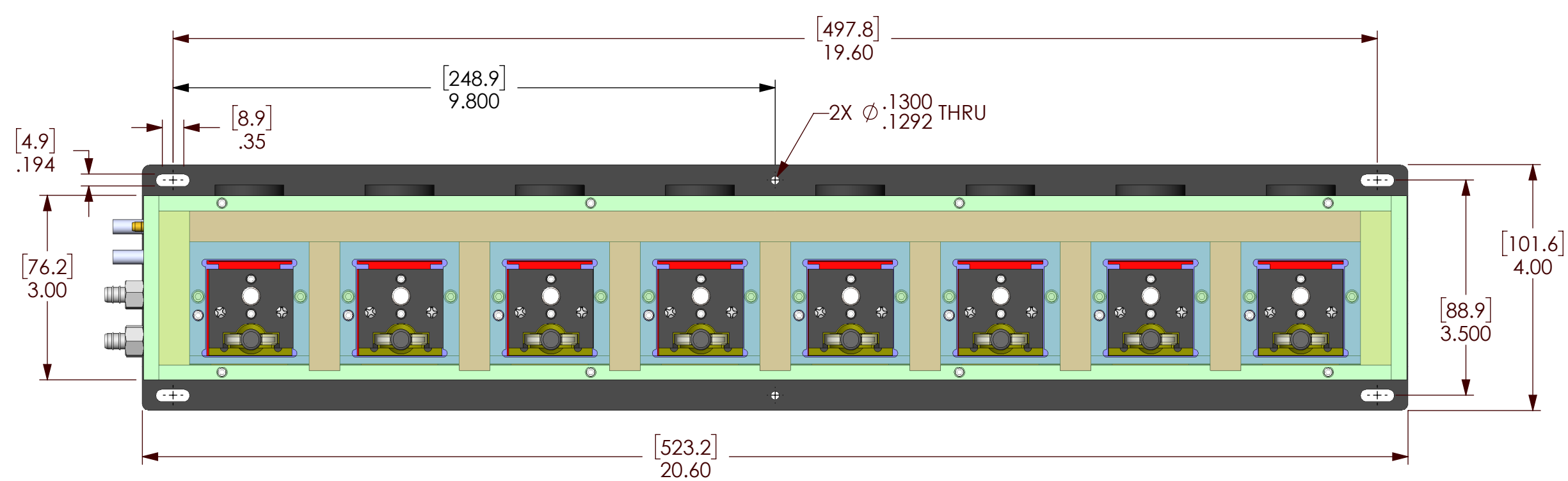
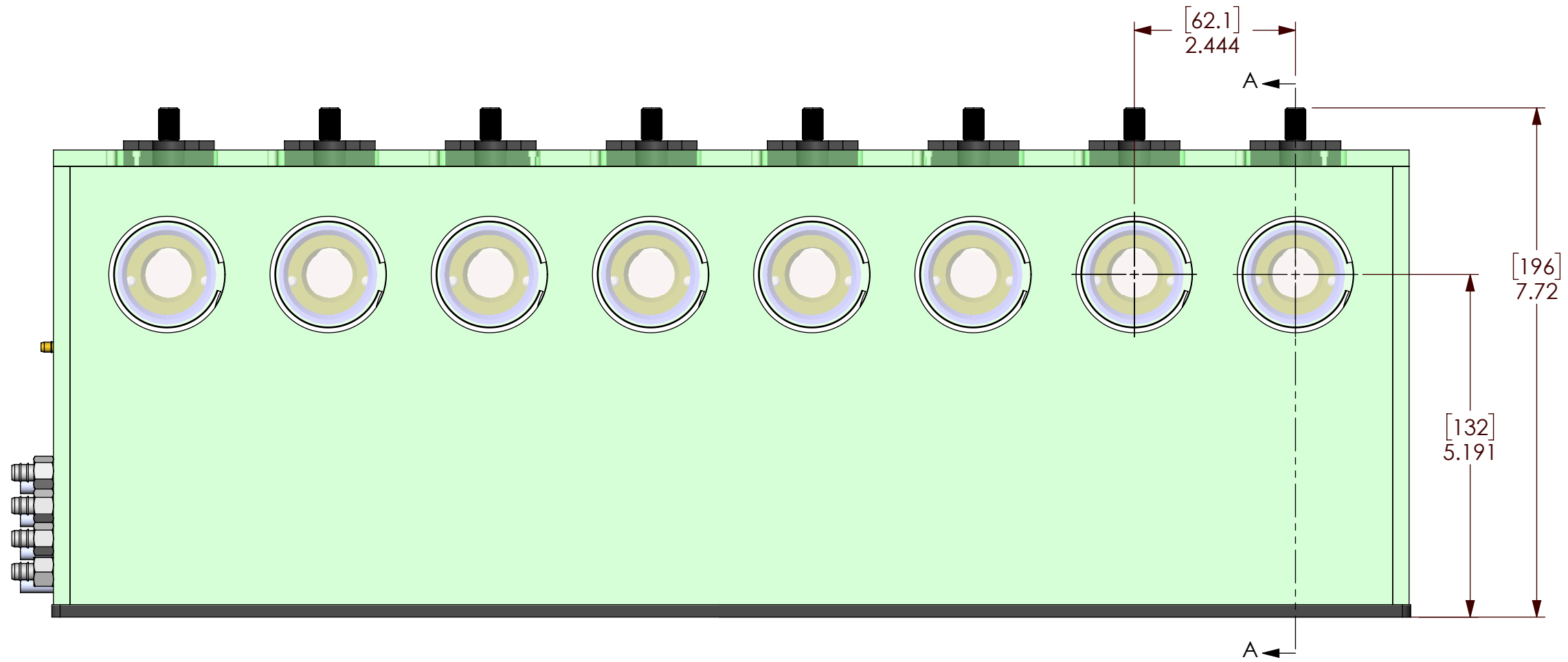


8 7 6 5 4 3 2

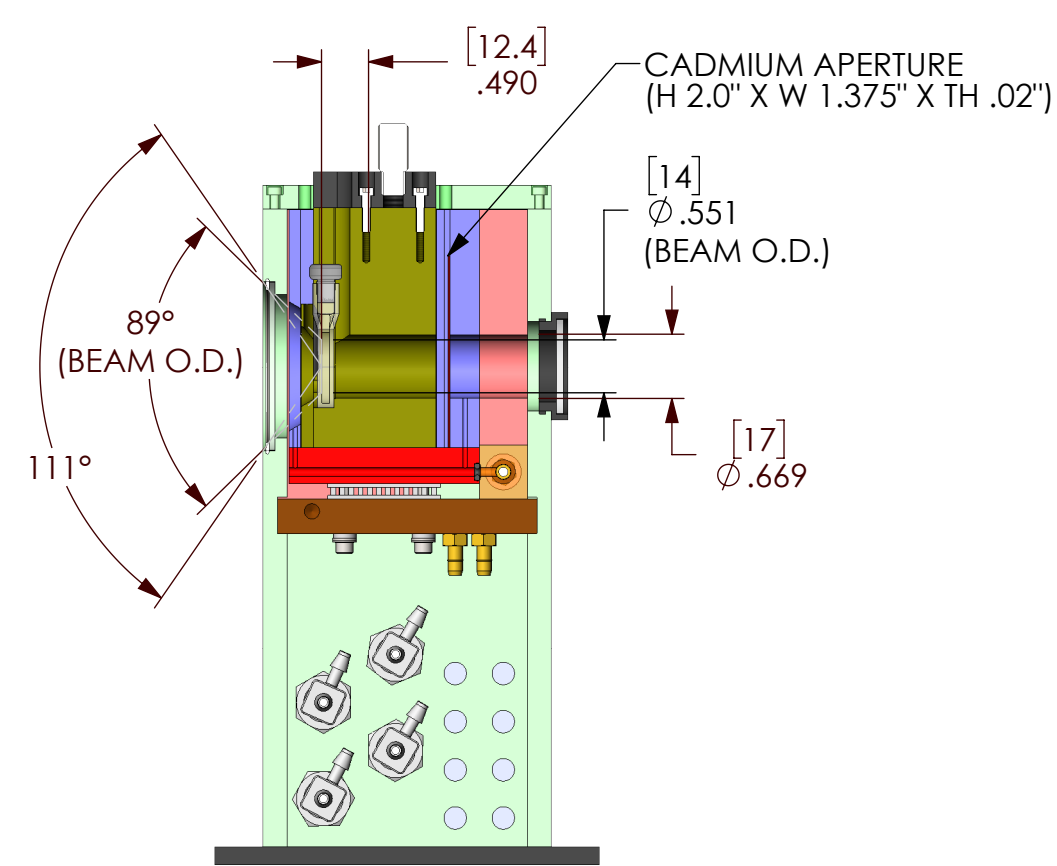
D



C

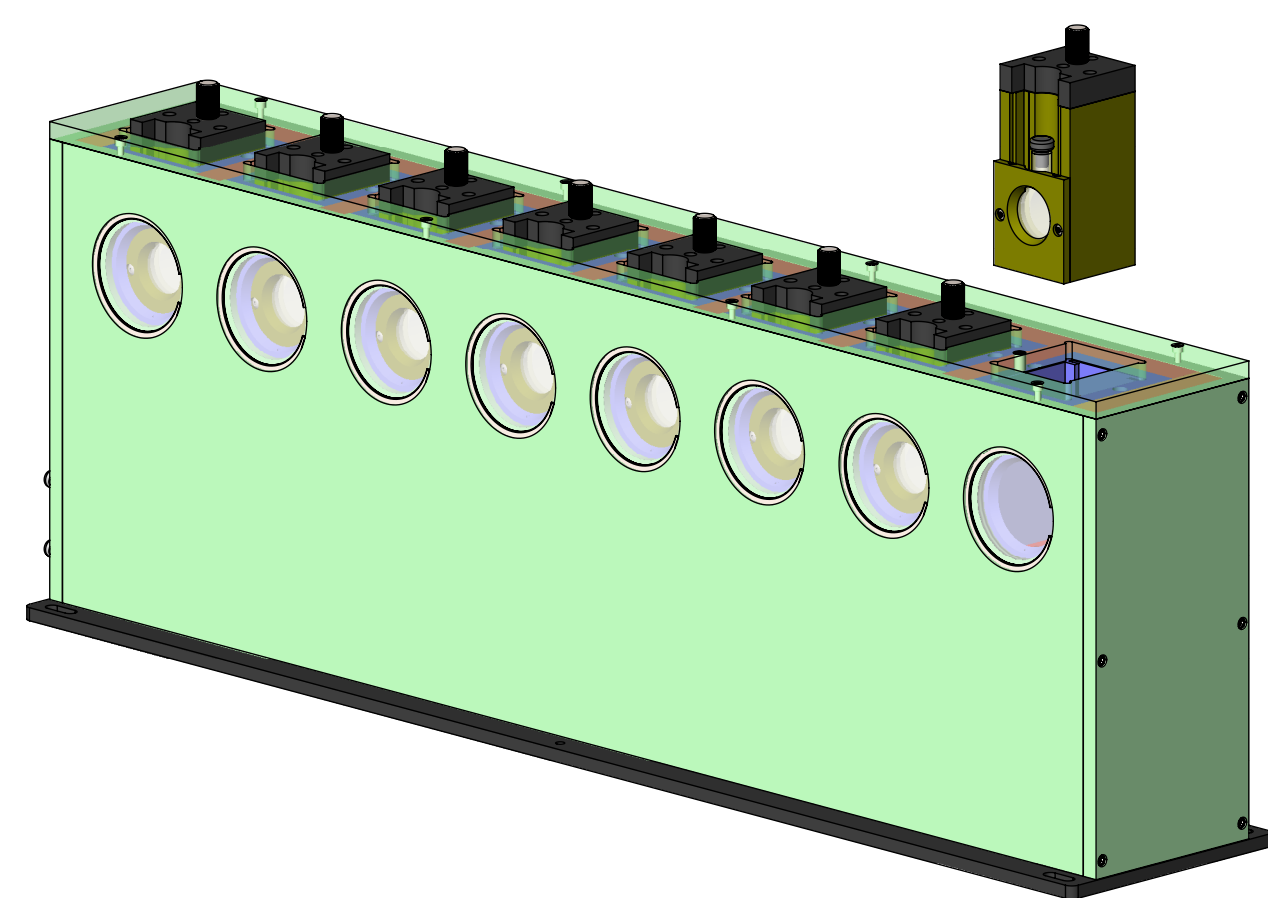


B



SECTION A-A

A



|  |           |   |   |
|--|-----------|---|---|
| THIS DOCUMENT CONTAINS PROPRIETARY INFORMATION AND MAY NOT BE REPRODUCED OR DISCLOSED IN WHOLE OR IN PART WITHOUT WRITTEN AUTHORIZATION FROM QUANTUM NORTHWEST |           | <b>QUANTUM NORTHWEST</b> SPOKANE WASHINGTON<br><b>NeutroniQ 8</b> |   |
| DIMENSIONS ARE IN INCHES UNLESS OTHERWISE NOTED  | APPROVALS | DATE  | SIZE C DWG NO. 31909 REV. 0<br>DOCUMENTS\CAD QNW\*-31909 SHEET 1 OF 1 |
| DECIMALS .XX = ± .02 .XXX = ± .003   | DRAWN SCH | 080217  |   |
| ANGLES X° = ± 1°   | ENG       |   |   |
| THIRD ANGLE  | MFG       | SCALE: 1:2  |   |
|  |           | DO NOT SCALE OFF DRAWING  |   |

8 7 6 5 4 3 2 1