

# Instruction Manual

---

## **TLC 50/E™** Temperature-Controlled Cuvette Holder for Fluorescence

---



# Table of Contents

<b>TLC 50/E Temperature-Controlled Cuvette Holder for Fluorescence</b>	<b>1</b>
System Setup	1
System Operation	2
Operation at High Temperatures	3
Error Conditions	3
Temperature Specifications	4
Other Specifications	4
<b>Appendix: Serial Communications for Quantum Northwest Temperature Controllers</b>	<b>6</b>
<b>Temperature Performance Certificate</b>	<b>11</b>



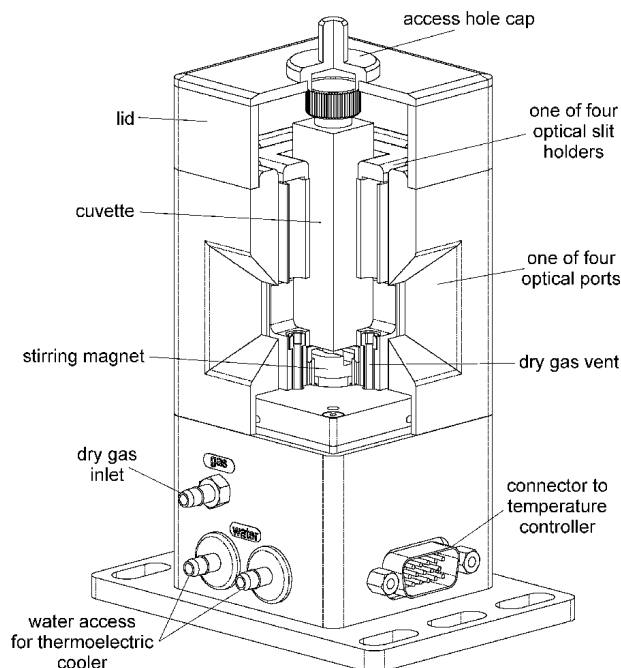
# TLC 50/E Temperature-Controlled Cuvette Holder for Fluorescence

The TLC 50/E is a thermoelectric-temperature-controlled, 4-window cuvette holder that can be adapted for use in a wide variety of commercial instruments for fluorescence measurements. Rapid and precise temperature changes may be made throughout the range of -55 to +150 °C. Variable speed magnetic stirring is provided as well as dry gas purge on the four windows of the cuvette. An opaque lid enhances control of the gaseous environment around the cuvette and reduces light leakage. A variety of optical slits are provided to use as apertures for the excitation or for the emitted light.

Each TLC 50/E is paired with a TC 125 Temperature Controller (see **Note 1**), microprocessor-based and using a modified PID algorithm.

## System Setup

1. Mount the TLC 50/E in your fluorometer or spectrophotometer. (The TLC 50/E can be adapted to mount in many different spectrometers. For additional information contact Quantum Northwest, Inc. at 509-624-9290 or quantum@qnw.com.)
2. Using the 15-pin, VGA-type cable provided, connect the cuvette holder to the back of the temperature controller. For some spectrometer installations, the cable is brought through a hole and connected directly to the cuvette holder. In other cases it may be connect to the front of the spectrometer or to a small access panel; a short extension cable is used the sample chamber to connect to the cuvette holder.
3. Connect a coolant source to the water connections on the cuvette holder. Flow direction is not important. Typically this flow is provided from a submersible pump in a small reservoir, from a temperature-controlled water bath or from a water



**Figure 1.**

tap to a drain. Use a length of tubing with 1/8" (3mm) inside diameter such as the vinyl tubing provided.

If you purchased the optional BATH 100, simply attach one tube to the brass fitting on the top of the submersible pump and let the other tube hang back in the bucket. Put water in the bucket to cover the pump and add ice if low temperatures are to be achieved.

4. If needed, connect a source of dry gas (typically dry nitrogen) using a length of tubing with 1/8" (3mm) inside diameter, to the hose barb labeled "gas" on the side of the TLC 50/E. A flow of gas must be used to prevent condensation on the faces of the cuvette when working below the dew point temperature. Set the dry gas flow rate to 50 - 200 cc/min.

5. Connect the Temperature Controller to a power

---

**Note 1:** The sample holder (TLC 50/E) and the controller (TC 125) are a matched pair. If either unit is replaced with a different sample holder or controller, both units must be returned to Quantum Northwest for matching. Otherwise, the temperature of the cuvette holder will not be the same as the value displayed on the temperature controller.

source using the electrical cord provided.

## System Operation

1. Set and maintain a cooling water flow rate of 200-300 ml per minute. This flow should require a pressure of about 3 - 5 psi (0.2 - 0.3 bar). See **Note 2** below.

**Warning: Do not exceed an input water pressure of 25 psi (1.7 bar),** as damage may occur inside the TLC 50/E.

**Warning: Insufficient flow of coolant** may result in automatic shutdown of temperature control. If this happens, increase the flow rate or reduce the temperature of the coolant, then press the run/stop button to resume temperature control.

2. For a standard fluorescence cuvette with inside dimensions of 10 x 10-mm, use a sample of at least 1.5 ml. Standard microcuvettes may also be used for smaller volumes. The TLC 50/E is usually designed to hold microcuvettes in which the “z” dimension (distance between the bottom of the cuvette and the optical center line) is 8.5 mm, although other z-heights may be provided on special order.

**Warning:** The TLC 50/E is intended to hold a cuvette with a standard wall thickness of 1.25 mm and total width of 12.5 mm. Cuvettes with unusually thick walls will not properly fit and may damage the holder. Also, short cuvettes will be difficult to remove after being pushed to the bottom of the holder.

3. Use the provided optical slits or blanks around the cuvette in a manner that correctly limits the excitation and emission light.

4. If needed, place the magnetic stir bar in the cuvette and turn the magnetic stirrer knob, located on the front of the temperature controller, until the desired speed is reached.

5. Place the plastic lid on the cuvette holder.

6. If the set temperature will be below the dew point, turn on the flow of dry gas to prevent condensation on the cuvette windows.

**Warning: If the coolant temperature is below the dew point,** condensation of water inside the base of the sample holder can result in corrosion and expensive repairs. Dry gas flow should prevent such condensation when using chilled coolant such as ice water or flow from a refrigerated circulating bath.

7. To monitor the temperature inside the cuvette, plug a standard Series 400 or Series 500 thermistor probe into the ¼ - inch phone plug jack located in the back of the temperature controller. Thread the probe through the hole in the plastic cover, into the cuvette, and down into a position in the sample so that it does not interfere with the excitation beam, the emission light or the magnetic stir bar. This thermometer function is calibrated against a Series 400 probe and will have the specifications typical of these probes. If more accurate temperature is needed, then the probe should be calibrated for use in your experiment. These standard probes are available through common laboratory suppliers.

8. If the hole in the plastic cover is unencumbered by a thermistor probe or other hardware, insert the access hole cap.

9. Turn on the power to the TLC 50/E system using the switch located on the left side of the rear panel of the temperature control unit. When the TC 125 is turned on, the display briefly indicates the version number of the software running on the controller's

---

**Note 2:** For operation above 105 °C it will be necessary to stop coolant flow. See the section **Operation at High Temperatures** for details.

If a circulating bath is used as the water source, it may not be possible to maintain a flow rate of 200 ml per minute. While this condition will limit the lowest temperature attainable, it may be partially compensated by using colder circulating liquid. Below about -25 °C 50% methanol in water is generally recommended.

If the set temperature is near room temperature and too close to the temperature of the cooling water, the sample holder temperature may oscillate around the set temperature. In this case, changing the temperature of the cooling water (for example by adding ice) should stop the oscillation.

microcomputer and an ID number that identifies the type of sample holder for which the controller has been calibrated (see Appendix 1, under the “identity” query for a list of sample holder types and ID numbers). The controller will then begin displaying temperatures (see **Note 3** below).

10. To set the target temperature, press and hold the up/down arrow buttons located to the right of the display window. The setting will change slowly at first then faster. When you are near the desired setting, release the button and tap it to set the final value. See **Note 4** below.

11. To begin controlling the temperature, depress the run/stop button located to the left of the display. While the sample holder temperature is changing, the red light located near the upper left corner of the front panel of the temperature controller will flash slowly. When the sample holder reaches and remains within  $\pm 0.02$  °C of the target temperature, the red light will be on continuously. See the following section for additional instructions if the target temperature is above 105 °C.

12. To set a different temperature, reset the target temperature as in step 9. Do not press the run/stop button again as this will turn off temperature control.

13. After measurements are completed, depress the run/stop button to turn off temperature control, then turn off power to the TC 125.

## **Operation at High Temperatures**

For target temperatures above 105 °C it will be necessary to turn off the coolant flow, but not until the temperature of the holder has risen above 80 °C. If this is not done, the holder temperature may never reach the target because the coolant

conducts away too much heat.

Under these conditions (high temperature, no coolant flow), if you set a target below the current holder temperature, temperature control will shut down. When this happens you must wait until the holder temperature drops below the target before turning control back on (by pressing the run/stop button).

If you set a high target temperature but forget to turn off coolant flow, you may do so at any point as long as the holder temperature is above 80 °C.

When you are finished using the system at high temperatures, turn off temperature control (run/stop button) and wait until the holder temperature drops to 80 °C or lower before restarting coolant flow. Following this rule will reduce stress within the sample holder due to rapid and uneven changes in internal temperatures and reduce the potential for expensive repairs.

## **Error Conditions**

Rapid flashing of the red light indicates an error condition and an error message will be shown on the screen. The common errors that will display are:

### **Error conditions E5, E6 and E7 – Check Cables.**

One or more of these error conditions is likely to arise if the electrical connection between the Temperature Controller and the TLC 50/E is not secure. In this case, turn off the power to the TC 125 controller, check the cable, turn on the power, and repeat steps 10 and 11 of the **System Operation** section.

**Error condition E8 – Low water flow.** This error

---

**Note 3:** If there is no external probe plugged into the rear of the unit, the TC 125 displays the *holder* temperature (the temperature measured in the metal body of the cuvette holder) and the *target* temperature (the temperature that the controller is attempting to achieve). The *holder* temperature sensor is located at cuvette window height on one of the corners of the cuvette tower.

If a probe is being used, then the controller displays the *holder* temperature and the *probe* temperature. To see the *target* temperature, briefly press either the up or down arrow button.

**Note 4:** The normal temperature range is about -10 °C to +105 °C. Lower temperatures generally require additional insulation and windows to prevent condensation on the cuvette. We can provide a Windowed Jacket (QNW product WJ-50) for this purpose. Lower temperatures also require pre-cooled circulating fluid with a temperature within 25 °C or so of the target temperature to draw heat from the Peltier device. The temperature controller can control temperatures down to -55 °C. Contact us if you would like suggestions on how to control very low temperatures.

condition indicates that the heat exchanger on the thermoelectric cooler is getting too warm. This will occur if insufficient cooling water is flowing into the device. Error condition E8 will automatically shut down temperature control to prevent damage to the unit. If this occurs, improve cooling water flow and repeat step 10 of the **System Operation** section.

If correcting these problems does not eliminate the error message, or if other errors are displayed, contact Quantum Northwest by calling (509) 624-9290 or by e-mailing us at quantum@qnw.com.

## **Temperature Specifications**

**Maximum Temperature.** The TLC 50/E system is capable of reaching 150 °C. A higher target temperature cannot be set since such temperatures may damage internal components.

Temperatures up to 105 °C can be attained with coolant flowing (coolant temperature of 15 °C or above). For sample temperatures above 105 °C it will be necessary to turn off flow of coolant (see the **Operation at High Temperatures** section).

**Minimum Temperature.** While the TLC 50/E system is capable of operation as low as -55 °C, the minimum useful temperature depends on the conditions under which it is used.

1. Without special conditions, using room temperature coolant, the minimum is the dew point temperature of the air at the location of use (roughly 5 °C). Below the dew point temperature, condensation on the cuvette windows will interfere with measurements.
2. With a dry gas flow rate of at about 200 cc/min into the gas inlet of the sample holder, the minimum temperature is about -10 °C. Below -10 °C there is a risk of frosting of the cuvette surfaces.
3. When mounted in an enclosure purged with dry gas and using ice water as coolant, the minimum temperature is about -25 °C. An example of such an enclosure is the sample chamber of some spectrophotometers. Lacking a purged enclosure, dry gas flow into the sample holder in combination with a windowed jacket (QNW product WJ-50), to further isolate the cuvette

from outside air, will allow temperatures as low as -25 °C.

4. The minimum temperature of -55 °C can only be attained using dry gas flow, a windowed jacket, coolant temperatures about 25 °C above the target temperature (typically using a refrigerated bath and methanol-water mixtures).

**Probe Temperature Range.** The TC 125, TC 225 and TC 425 temperature controllers accept standard 400 and 500 Series thermistor probes. These probes may be obtained from supply companies such as Cole Parmer (coleparmer.com). Standard 400 Series temperature probes will measure the temperature within  $\pm 0.2$  °C over the range of 0.0 to 70.0 °C. The probe will operate over the full range of -55 °C to +150 °C, but an individual probe will need to be calibrated by the user outside of the 0.0 to 70.0 °C range. The 500 Series probes are less standardized and may require calibration by the user. 500 Series probes may be convenient, because they are available in very small diameters.

## **Other Specifications**

**Variable speed magnetic stirring** is provided for experiments in which it is important to rapidly remove photoproducts from the illuminated volume. A stir bar is included.

**A dry gas purge is provided.** The gas travels through the base of the cuvette holder for temperature equilibration and then blows onto each of the four faces of the cuvette. The gas purge minimizes condensation on the cuvette surfaces.

An opaque lid covers the top of the cuvette to provide isolation from the ambient environment.

**An optional serial interface** is available for remote computer control (see Appendices).

**Optical access.** The TLC 50/E holds a standard 1 cm square cuvette and precisely maintains its temperature. Access is provided on 4 sides through optical ports 10 mm wide by 12 mm high. For experiments requiring optical access to only two of the windows, insulating blanks, which are provided, may be used to cover the remaining two windows.

Optical slits with a variety of apertures are provided with the TLC 50/E (see Figure 2)

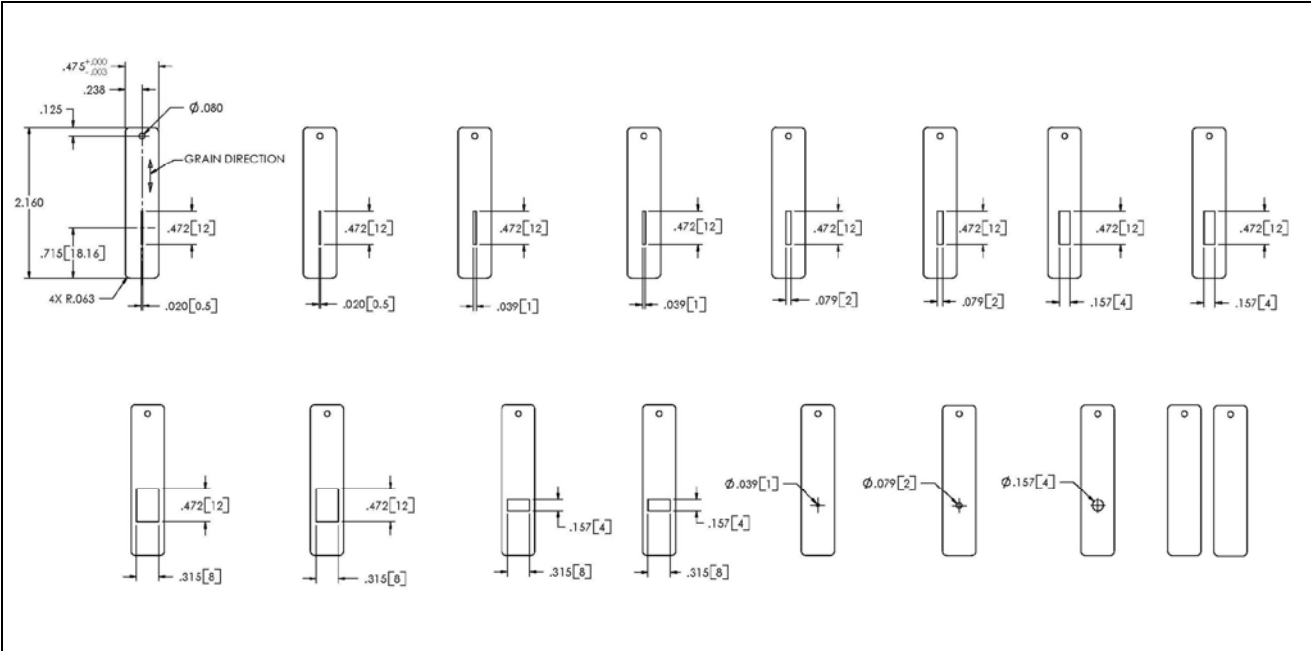


Figure 2. Optical slits provided with the TLC 50/E.

# Appendix- Serial Communications for Quantum Northwest Temperature Controllers

07-13-11

This document provides the serial communications protocols for version 9.1 of the firmware on temperature controllers TC 125, TC 225 and TC 425.

The version number and the ID (see below) are shown briefly on the display when the temperature controller is turned on.

With the exception of setting the rate of stirring, all functions of the temperature controller can be managed from a computer, using the command set described below. If you purchased your unit as a component of a spectrometer from certain manufacturers, this feature may be implemented through traditional RS232 serial connectors on the computer and the controller. In this case they will be connected by a standard 15-pin serial extension cable (male connector on one end and female on the other). No driver installation should be needed.

Otherwise the serial linkage will be established through a USB connection between the computer and the controller. In this case the controller includes electronics which convert the USB connection to a serial communications port. However, for the port to be available to programs on the computer it will be necessary to load driver software. It is important that the driver software be loaded before connecting a USB cable between the controller and the computer. Contact Quantum Northwest for further information.

Quantum Northwest can provide a control program written specifically for control of all functions of the temperature controllers. Ask for program T-App.

To communicate with the controller, one must adhere to the conventional notation: 8/N/1.

Baud: 19200  
Data Bits: 8  
Parity: None  
Stop Bit: 1  
Flow Control: None

For many of the commands listed below the controller returns information in response to the command. All commands and responses are delineated by left and right square brackets ( [ ] ). In this document an ellipsis (.....) is used to distinguish responses from commands. Any text sent to the controller not enclosed within brackets will be ignored.

---

[command]	purpose of the command (sent to the controller)
.....[reply]	meaning of the reply (received from the controller)

---

## 1. Identify

[F1 ID ?] What is the ID number of the sample holder being controlled?  
.....[F1 ID 31] Sample holder is a four-position turret with probe capability.

### Assigned Identities:

ID = 10 - single cuvette holder  
11 - single cuvette holder with probe capability  
12 - high temperature single cuvette holder  
20 - dual cuvette holder  
21 - dual cuvette holder with probe capability  
22 - dual-controlled titrator  
30 - 4-position turret  
31 - 4-position turret with probe capability  
32 - 6-position turret (or linear cell) changer

**Identity Classes:**

- (10 – 13) - single sample holder using a TC 125 controller
- (20 – 22) - two sample holders using a TC 225 controller
- (30 – 31) - multiple cuvette holder using a TC 425 controller
- (32) - multiple cuvette holder using a TC 125 controller,

---

**2. Controller Firmware Version**

- [F1 VN ?] What is the version number of the controller firmware?  
..... [F1 VN 9.1] The controller is operating firmware version number 9.1.

---

**3. Stirrer**

- [F1 SS +] Turn stirrer on. (Stir rate must be set manually.)  
[F1 SS -] Turn stirrer off.

---

**4. Temperature Control**

- [F1 TC +] Turn temperature control on.  
[F1 TC -] Turn temperature control off.

---

**5. Target Temperature**

- [F1 TT S 23.10] Set target temperature to 23.10 °C.  
[F1 TT ?] What is the current target temperature?  
..... [F1 TT 71.32] Target temperature is 71.32 °C.  
[F1 TT +] Turn on automatic reporting of manual changes to the target temperature  
[F1 TT -] Turn off automatic reporting of manual changes to the target temperature  
[F1 MT ?] What is the maximum target temperature allowed  
..... [F1 MT 110] The maximum target temperature allowed is 110 °C  
[F1 LT ?] What is the lowest target temperature allowed  
..... [F1 LT -30] The lowest target temperature allowed is -30 °C

---

**6. Instrument Status**

- [F1 IS ?] What is the current instrument status?  
..... [F1 IS 0-+S] Response is four parameters:  
    number of unreported errors is 0 (0 to 9)  
    stirrer is off (+ is on, - is off)  
    temperature control is on (+ is on, - is off)  
    temperature is stable (S is stable, C is changing)  
[F1 IS +] Automatically report instrument status whenever it changes  
    (e.g., due to manual changes at controller)  
[F1 IS -] Stop periodic or automatic reports of instrument status.  
..... [F1 IS R] The controller has been powered off and back on again.

---

**7. Heat Exchanger Temperature**

- [F1 HL ?] What is the high temperature limit for the heat exchanger

.....[F1 CT 60] The heat exchanger high temperature limit is 60 °C  
[F1 HT ?] What is the current temperature of the heat exchanger?  
.....[F1 CT 39] The current heat exchanger temperature is 39 °C.  
[F1 HT +3] Automatically report heat exchanger temperature every 3 seconds  
[H1 CT -] Stop periodic heat exchanger temperature reports.

---

### **8. Current Temperature**

[F1 CT ?] What is the current temperature of the holder?  
.....[F1 CT 22.84] The current temperature is 22.84 °C.  
[F1 CT +3] Automatically report current temperature every 3 seconds.  
[F1 CT -] Stop periodic current temperature reports.

---

### **9. Probe Status**

[F1 PS ?] Is there an external temperature probe connected?  
.....[F1 PR +] A probe is connected.  
.....[F1 PR -] No probe is connected.  
[F1 PS +] Enable probe status to be sent automatically when a probe is installed or removed. This is the default.  
[F1 PS -] Disable automatic sending of probe status.  
[F1 PT ?] What is the current probe temperature?  
[F1 PT +3] Automatically report the probe temperature every 3 seconds.  
.....[F1 PT 22.3] The current probe temperature is 22.3 degrees.  
.....[F1 PT NA] Probe temperature is not available.  
[F1 PT -] Stop automatic probe temperature report.  
[F1 PA S 0.5] Set the increment for automatic reporting of the probe temperature to 0.5 degrees during a ramp. (Increment must be positive) without sign in tenths between 0.1 and 9.9 degrees and will work for ramps going up or down.)  
[F1 PA +] Start automatic reporting of probe temperature every temperature increment.  
.....[F1 PT 30.5] The current probe temperature is 30.5 degrees.  
[F1 PA -] Stop automatic reporting of probe temperature every temperature increment.  
[F1 PX +] Change probe temperature returned to a precision of 0.01 degree.

---

### **10. Error Reporting**

[F1 ER ?] Report the current error. For a more complete description, see "Error Codes" in the help system of the Serial Control Program.  
.....[F1 ER -1] No current error  
.....[F1 ER 05] Cell T out of range (Loose cable? Sensor failure?)  
.....[F1 ER 06] Cell & heat exchanger T out of range (Loose cable?)  
.....[F1 ER 07] Heat exchanger T out of range (Loose cable? Sensor failure?)  
.....[F1 ER 08] Inadequate coolant (check flow). Temperature control has shut down.  
.....[F1 ER 09] Syntax error on a preceding command.  
[F1 ER +] Automatically report errors when they occur  
[F1 ER -] Stop automatic error reports

---

## 11. Temperature Ramping

**The commands in this class will have an effect only for the TC 225.**

- [F1 RS S 3]            Set the time increment to 3 seconds (must be a positive integer).  
[F1 RT S 10]           Set the temperature increment to 0.1 °C (a positive integer, units are hundredths of a degree).  
[F1 TL +]              Ramp the sample and reference identically.  
[F1 TL -]              Ramp the sample while the reference remains stable.

The default is to ramp the sample while the reference remains stable. There is no query for this setting. Ramping both the sample and reference at different rates or to different target temperatures (see below) is not possible.

The ramp rate (°C/min) is calculated as  $(RT / 100) / (RS / 60)$ . Ramp rates corresponding to selected RS and RT pairs are given in the table below.

°C/min	0.05	0.1	0.2	0.5	1	2	5	10
RS	12	12	6	6	3	3	3	3
RT	1	2	2	5	5	10	25	50

Note: For the higher ramp settings, the observed rate may be lower than that calculated from RT and RS or it may be nonlinear over part of the temperature range because the maximum possible rate of heating or cooling is limited (and dependent on the temperature).

To Ramp the temperature:

1. equilibrate at the starting temperature,
2. set the time (RS) and temperature (RT) increments,
3. set a new target temperature.

The new target may be above or below the current temperature and, as soon as it is set, the ramp will begin, up or down, to that new target.

After reaching the target the controller will hold at that temperature. At any time RS and RT may be reset and a new ramp initiated by setting another target temperature.

Once you are done, terminate ramping by resetting both RS and RT to 0. Otherwise, setting a new target temperature later will initiate a ramp to that target temperature.

---

## 12. Cell Changing

**The commands in this class will have no effect unless the sample holder has multiple positions. This includes all TC 425 controllers (4 positions with buttons on the controller that can be used to change the position manually) and some TC 125 controllers (more than 4 positions and no buttons, so software must be used to control the position setting).**

- [F2 DI]                Device initialize: move to home position.  
[F2 PI]                Device initialize: move to home position and reply when done.  
..... [F2 OK]        Device is finished moving.  
[F2 DL 3]             Device locate: move to position 3. (Device must be initialized prior to using this command.)  
[F2 PL 6]             Device locate: move to position 6 and reply when done.  
..... [F2 DL 6]       Device is now in position 6.  
[F2 ?]                Report status of device.

.....[F2 OK] Device is ready to accept commands.  
.....[F2 BUSY] Device is busy running commands.  
[F2 PL ?] What is the device location (position)?  
.....[F2 DL 2] Device is in position 2. (If reply is 0, device is not initialized.)  
[F2 DD 2] Set speed to 2 (acceptable range 2-250 with 2 being fast, 250  
being slow).  
[F2 DD ?] What is the current device speed?  
.....[F2 DD 2] Device is set to speed setting 2. If reply is 0, then the firmware  
default value (which depends on the sample holder) is being used.

---

### **13. Reference Cuvette (TC 225 only)**

[R1 ... ]

To control the temperature of the reference cuvette of a Dual Temperature Controller, use any commands in classes 3-8, substituting R1 for F1. There are no corresponding [R1 ... ] commands for classes 9 – 11.

If you wish to ramp the temperature of the reference and sample cuvettes together, please note the linking command [F1 TL +] in command class 11.