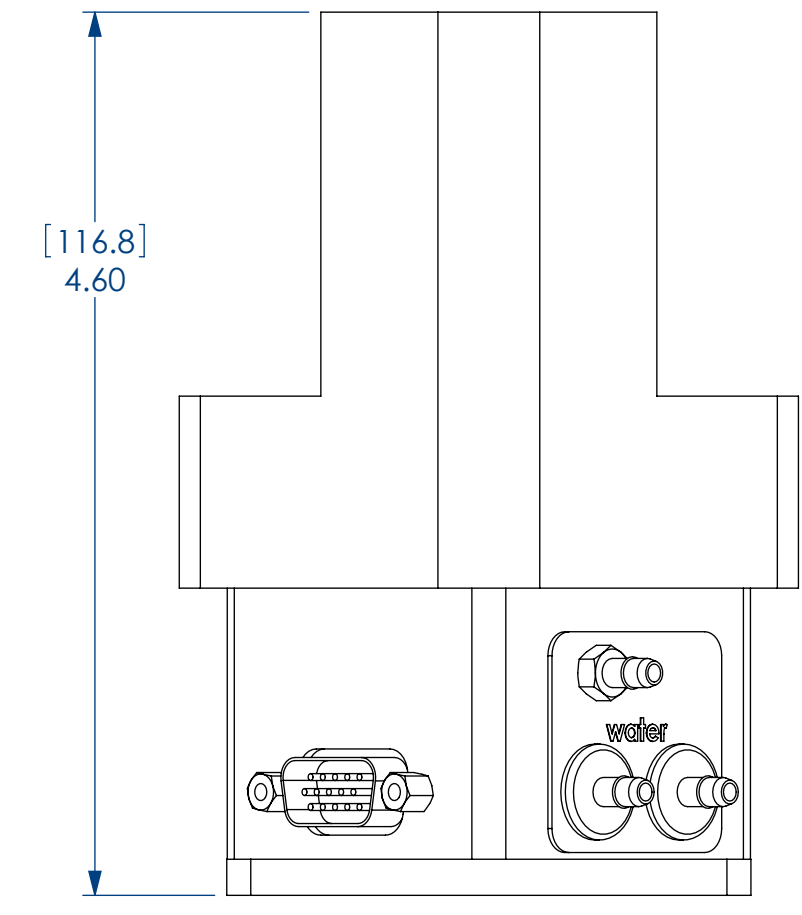
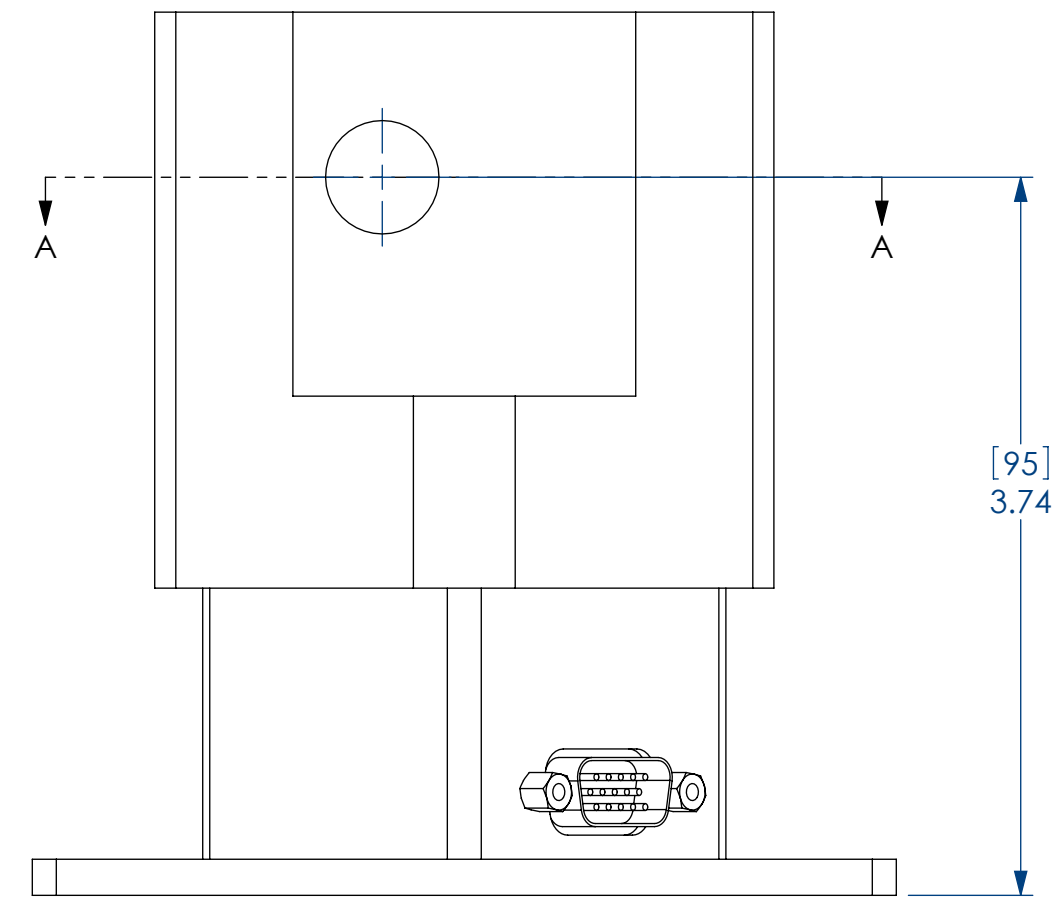
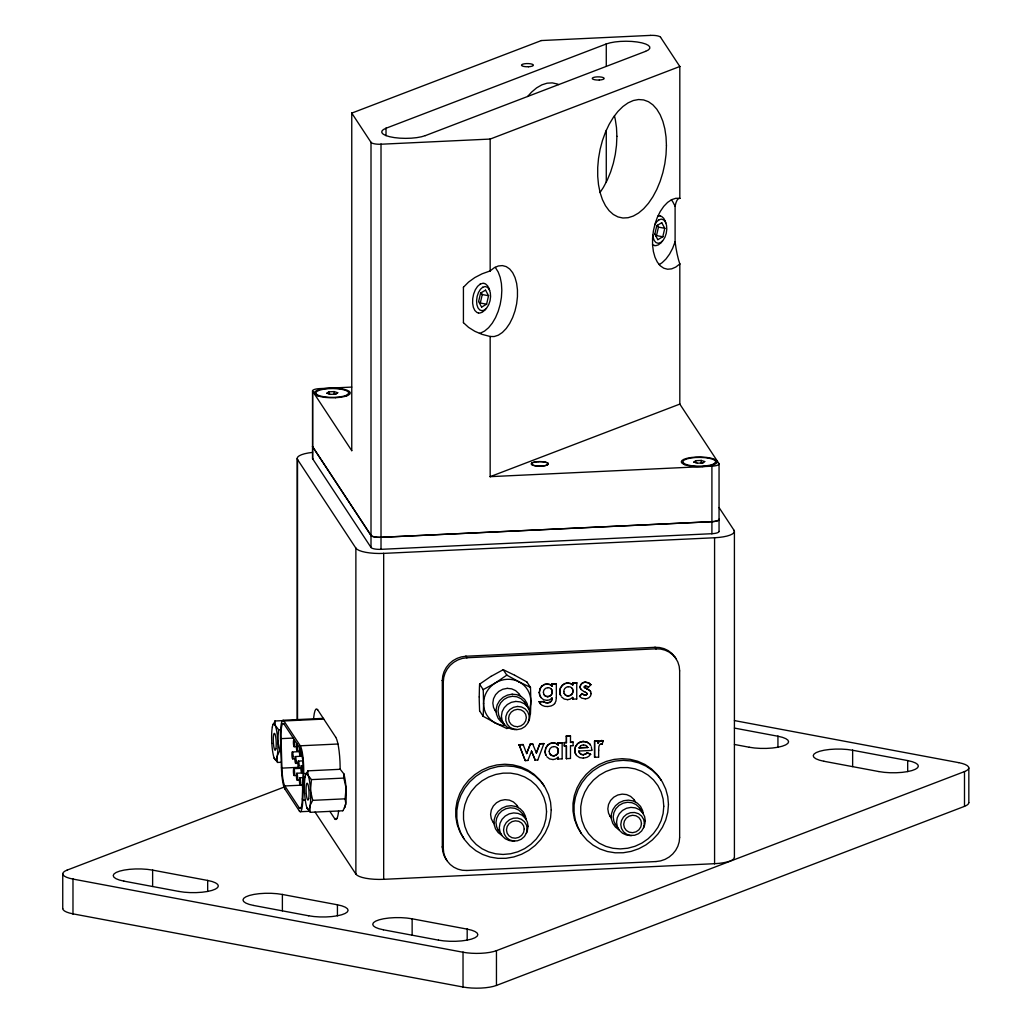
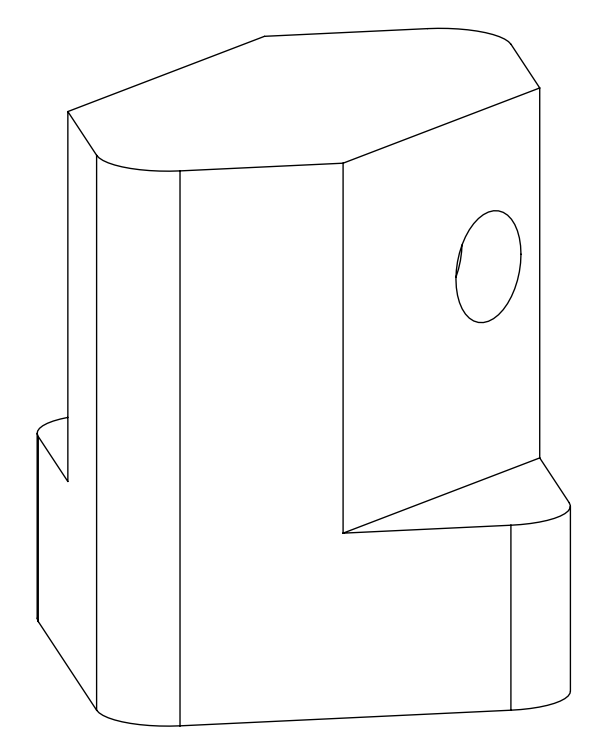
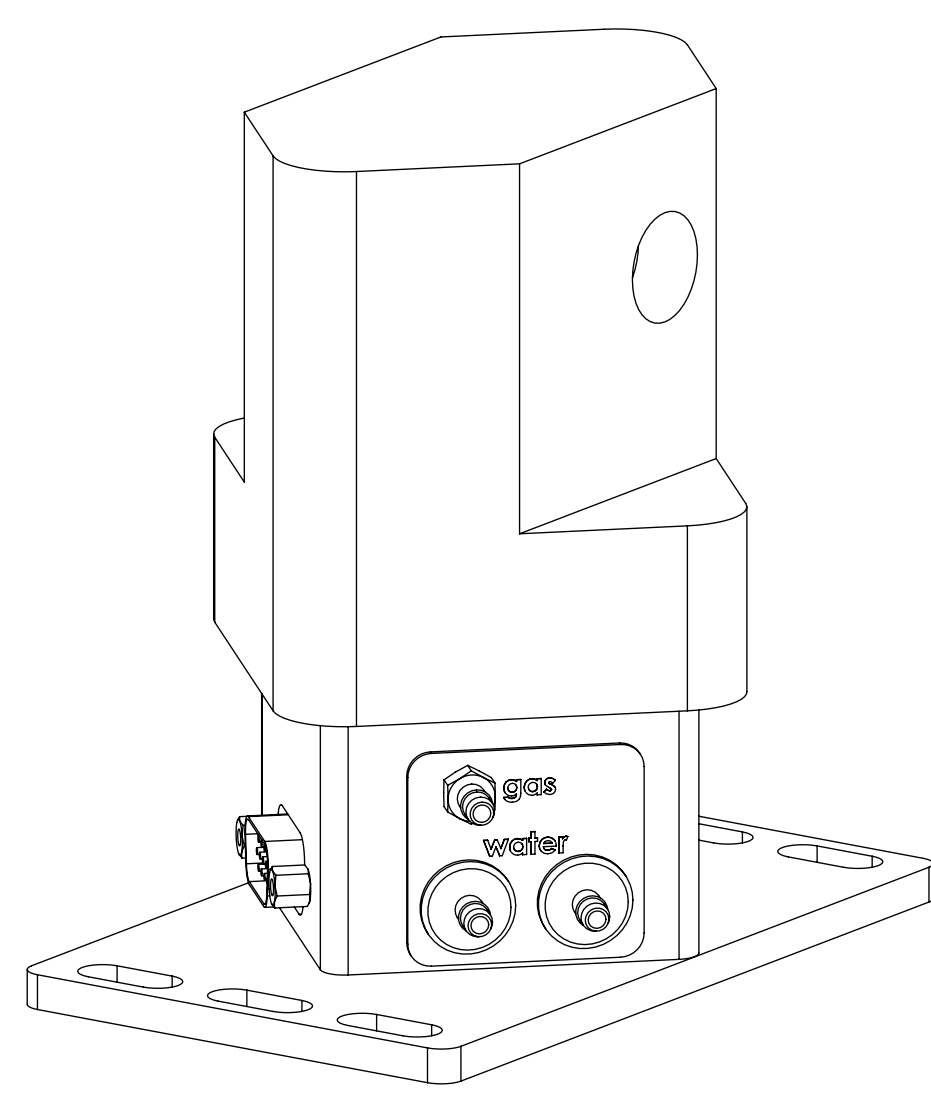
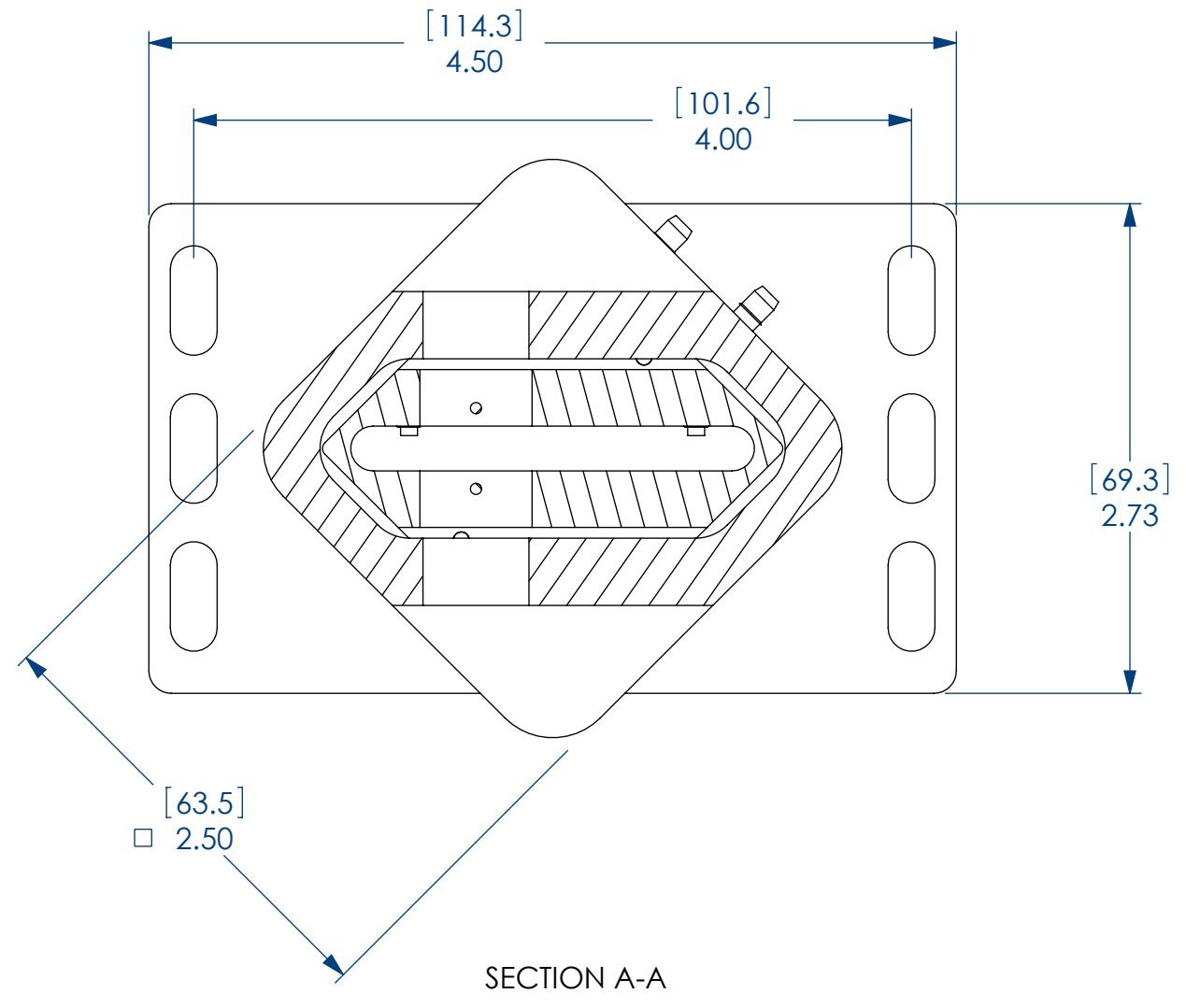


REVISIONS			
REV.	DESCRIPTION	DATE	APPROVED



<small>THIS DOCUMENT CONTAINS PROPRIETARY INFORMATION AND MAY NOT BE REPRODUCED OR DISCLOSED IN WHOLE OR IN PART WITHOUT WRITTEN AUTHORIZATION FROM QUANTUM NORTHWEST</small>		QUANTUM NORTHWEST SPOKANE WASHINGTON	
DIMENSIONS ARE IN INCHES UNLESS OTHERWISE NOTED TOLERANCES ARE: DECIMALS ANGLES .XX = ± .02 X° = ± 1° .XXX = ± .003	APPROVALS DRAWN SCH ENG MFG	DATE 071803	TLC-FILTER HOLDER
THIRD ANGLE	SCALE: 1:1 DO NOT SCALE OFF DRAWING	SIZE C DWG NO. 25021	REV. 2 SHEET 1 OF 1