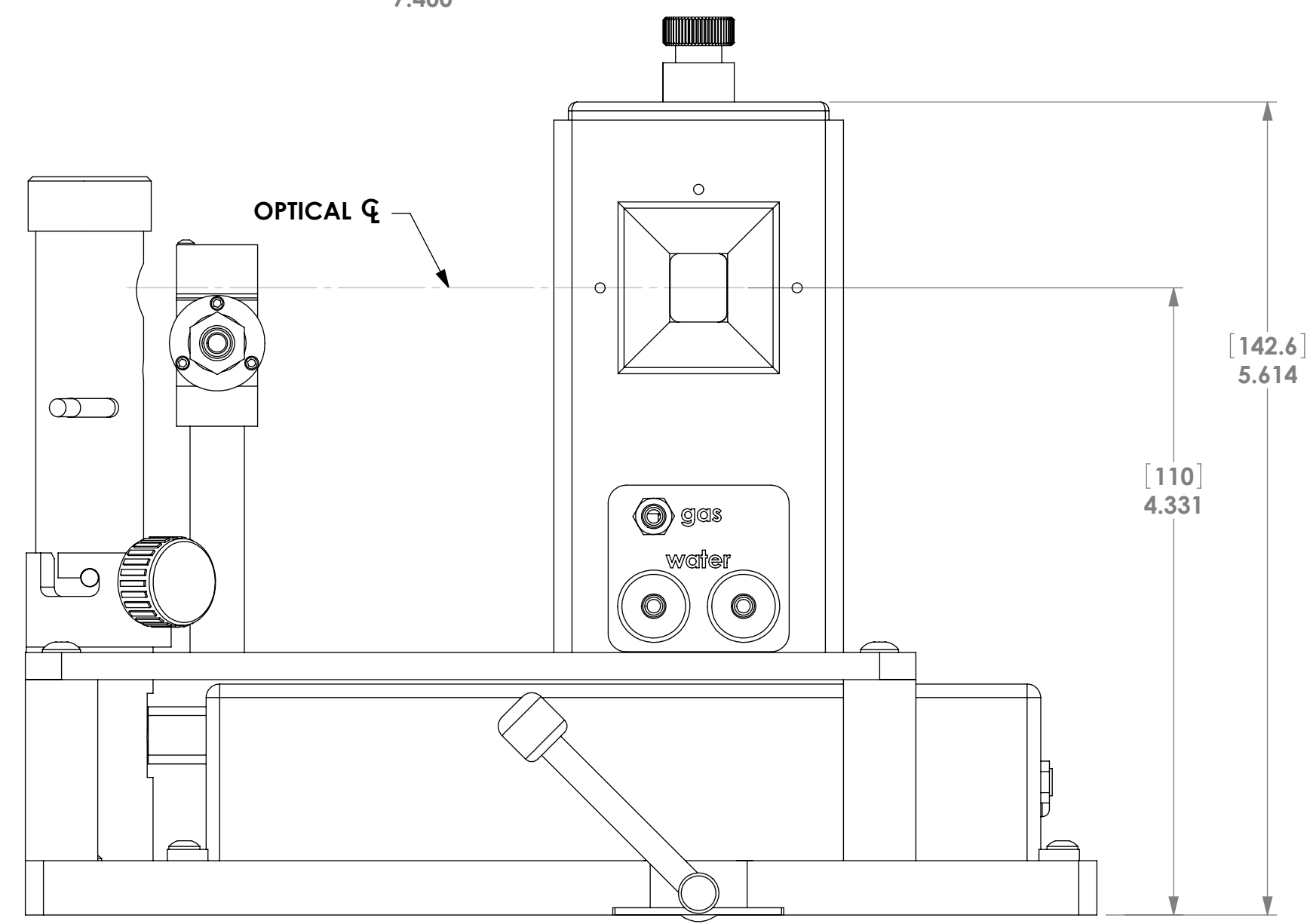
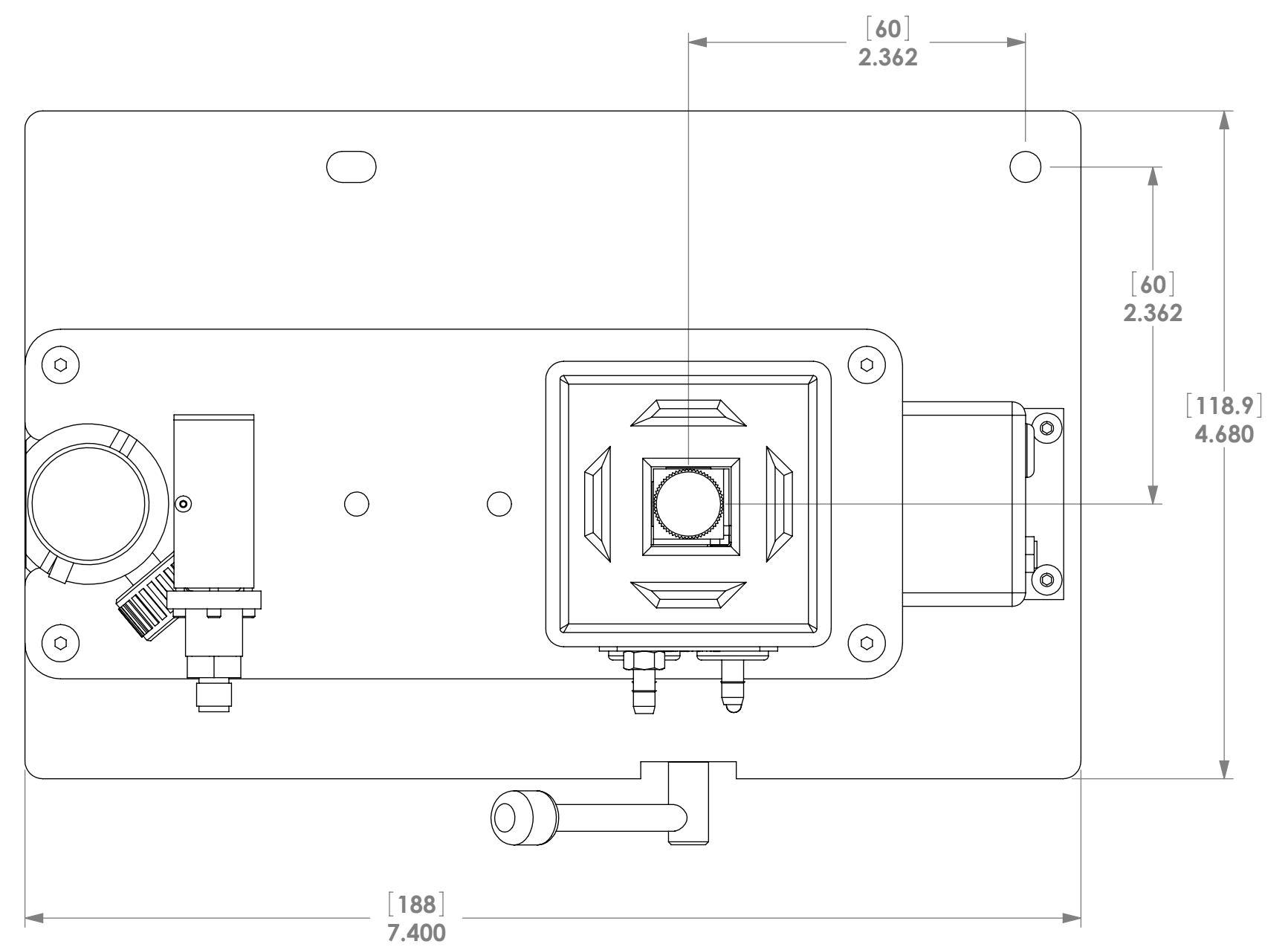
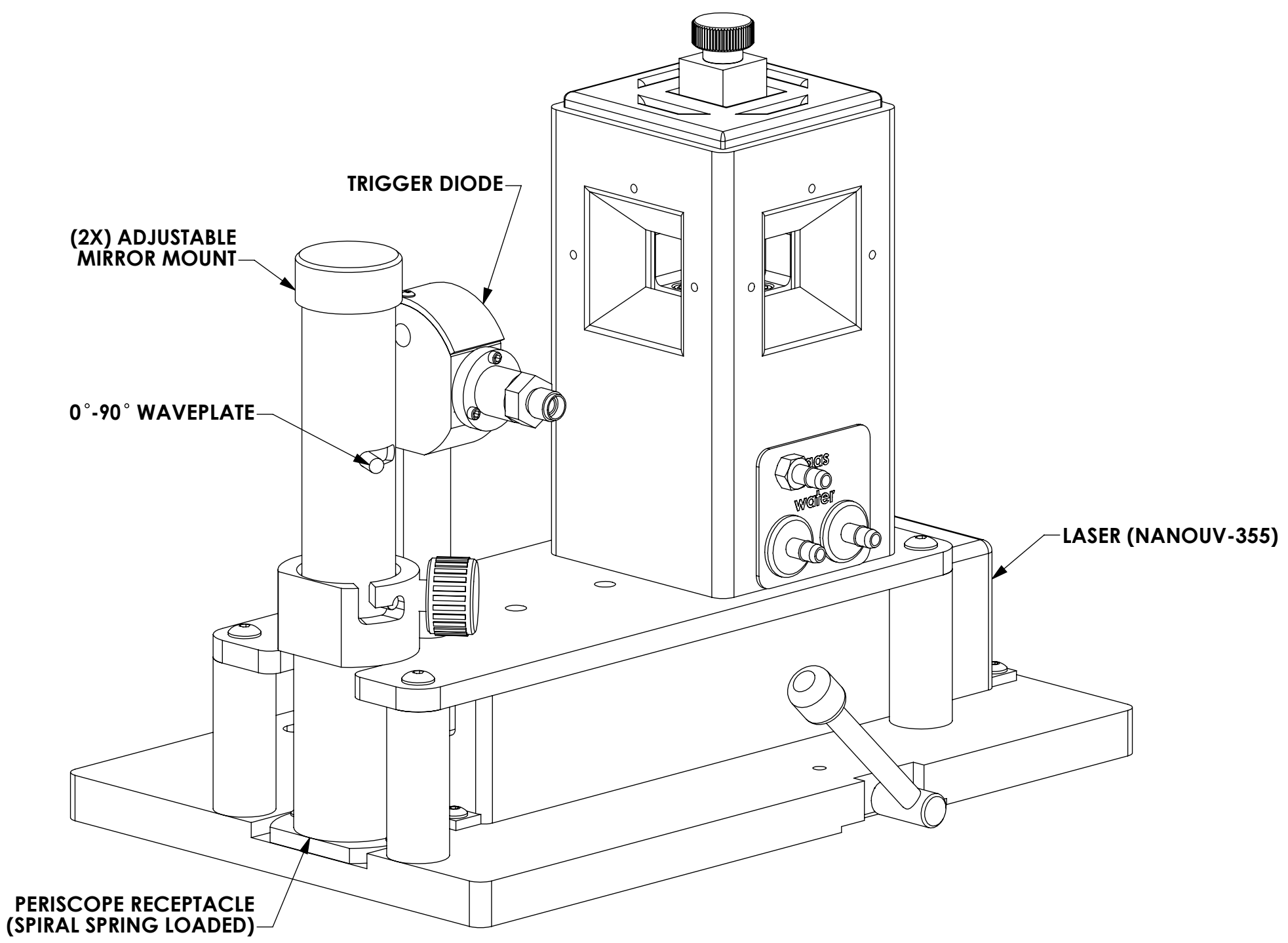


8 7 6 5 4 3 2

D
C
B
A



8 7 6 5 4 3 2 1

<small>THIS DOCUMENT CONTAINS PROPRIETARY INFORMATION AND MAY NOT BE REPRODUCED OR DISCLOSED IN WHOLE OR IN PART WITHOUT WRITTEN AUTHORIZATION FROM QUANTUM NORTHWEST</small>		QUANTUM NORTHWEST SPOKANE WASHINGTON	
<small>DIMENSIONS ARE IN INCHES UNLESS OTHERWISE NOTED TOLERANCES ARE:</small>		DAKOTA ECLIPSE	
<small>DECIMALS .XX = ± .02 .XXX = ± .003</small>	<small>ANGLES X° = ± 1'</small>	APPROVALS DRAWN SCH DATE 123103 ENG MFG	SIZE C DWG NO. 25137 REV. 3
THIRD ANGLE	SCALE: 1:1 DO NOT SCALE OFF DRAWING	SH C:\CAD FILES*- 25137 SHEET 1 OF 1	