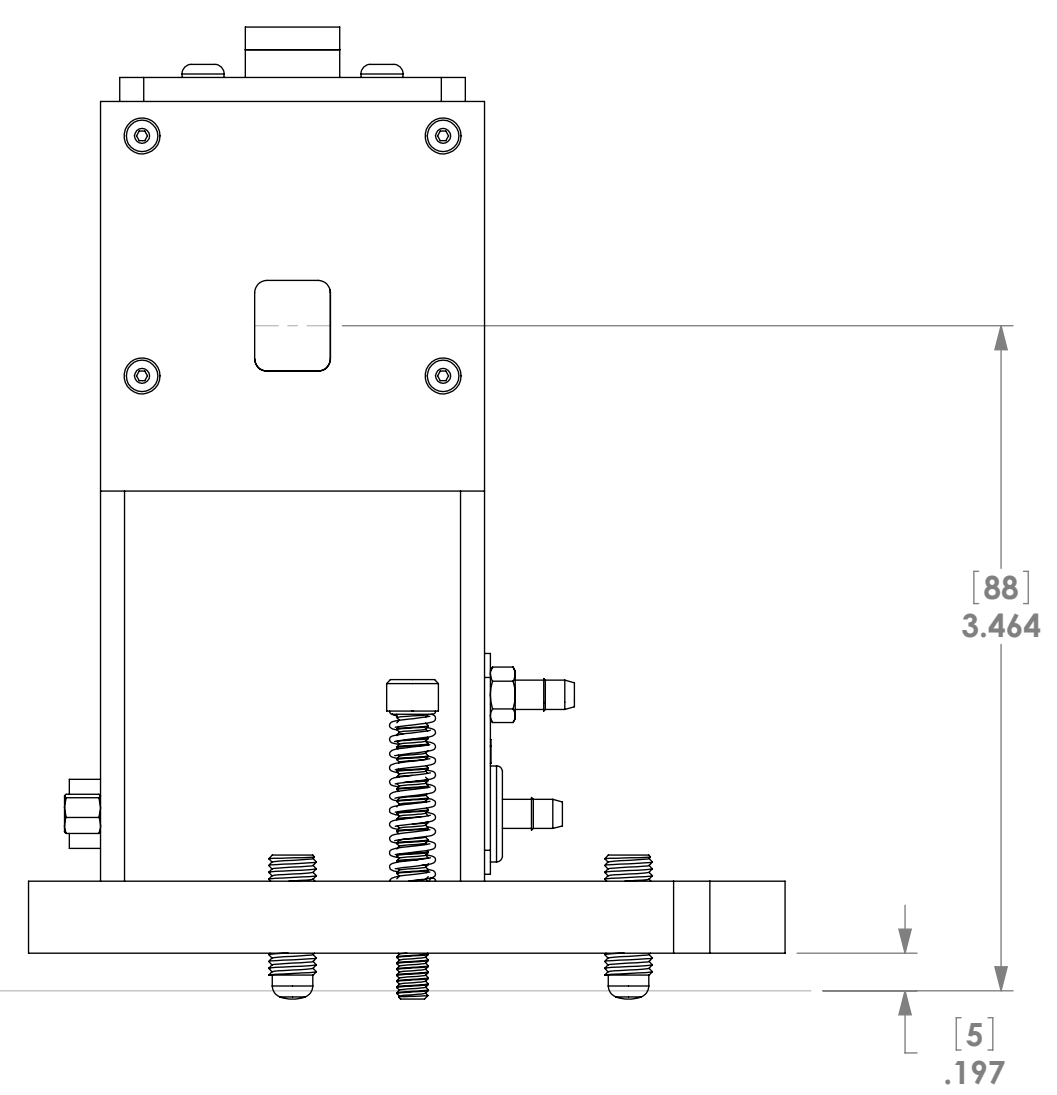
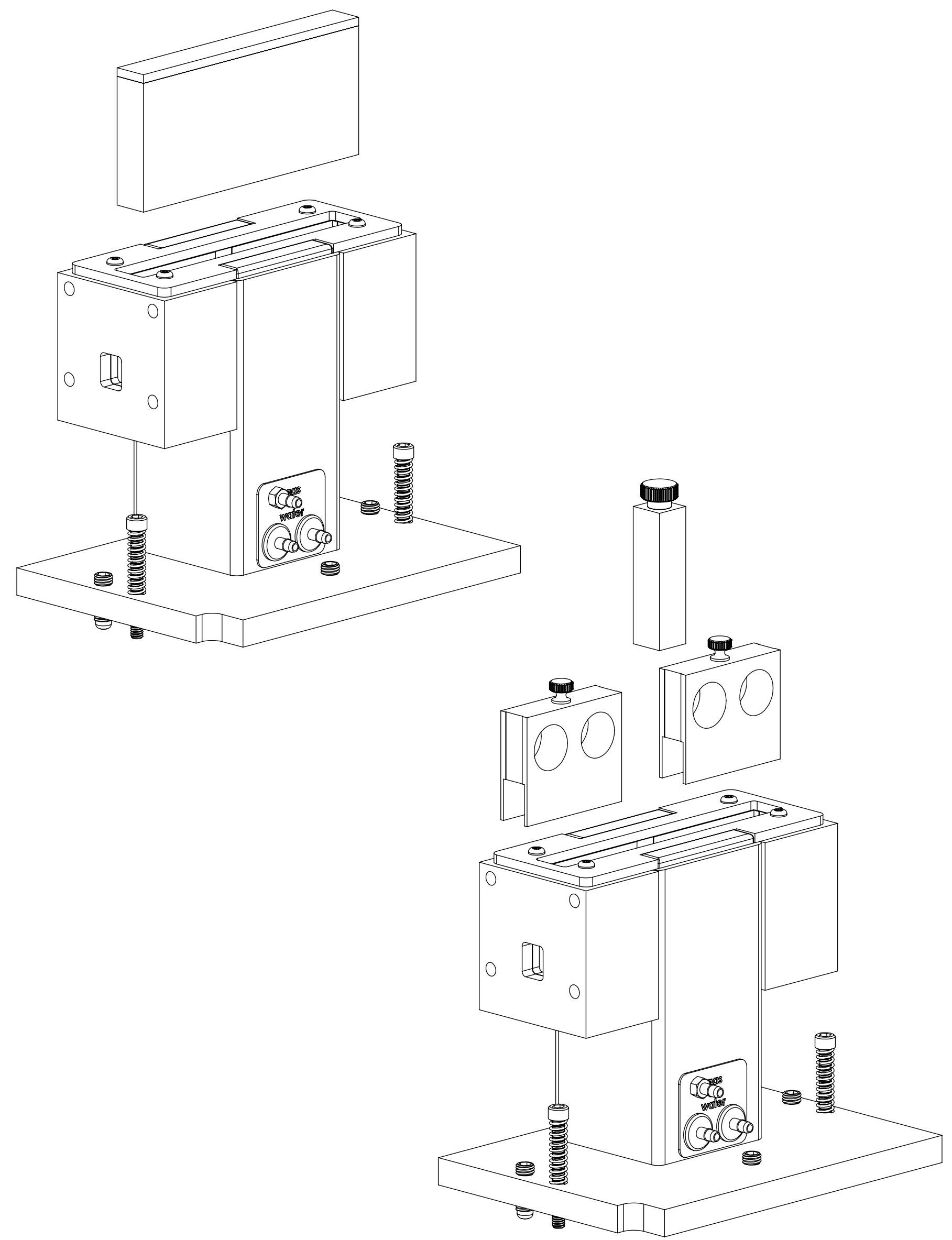
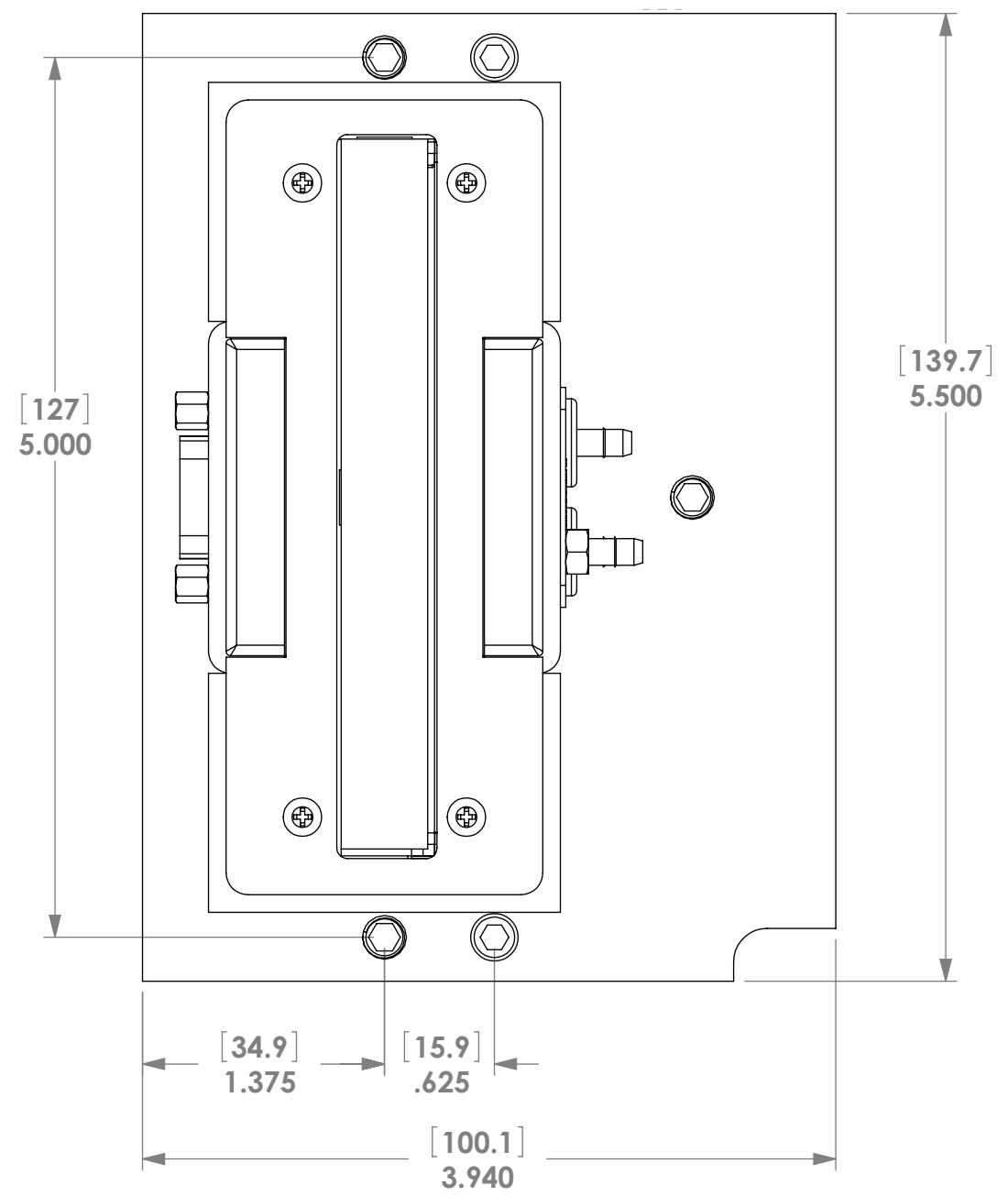


8 7 6 5 4 3 2

D
C
B
A



THIS DOCUMENT CONTAINS PROPRIETARY INFORMATION AND MAY NOT BE REPRODUCED OR DISCLOSED IN WHOLE OR IN PART WITHOUT WRITTEN AUTHORIZATION FROM QUANTUM NORTHWEST		QUANTUM NORTHWEST SPOKANE WASHINGTON	
DIMENSIONS ARE IN INCHES UNLESS OTHERWISE NOTED TOLERANCES ARE: .XX = ± .02 .XXX = ± .003		APPROVALS DRAWN SCH ENG MFG	DATE 120407
THIRD ANGLE		SCALE: 1:1 DO NOT SCALE OFF DRAWING	
SIZE C		DWG NO. 25753	REV. 1
SH C:\CAD FILES*- \25753		SHEET 1 OF 1	

8 7 6 5 4 3 2 1