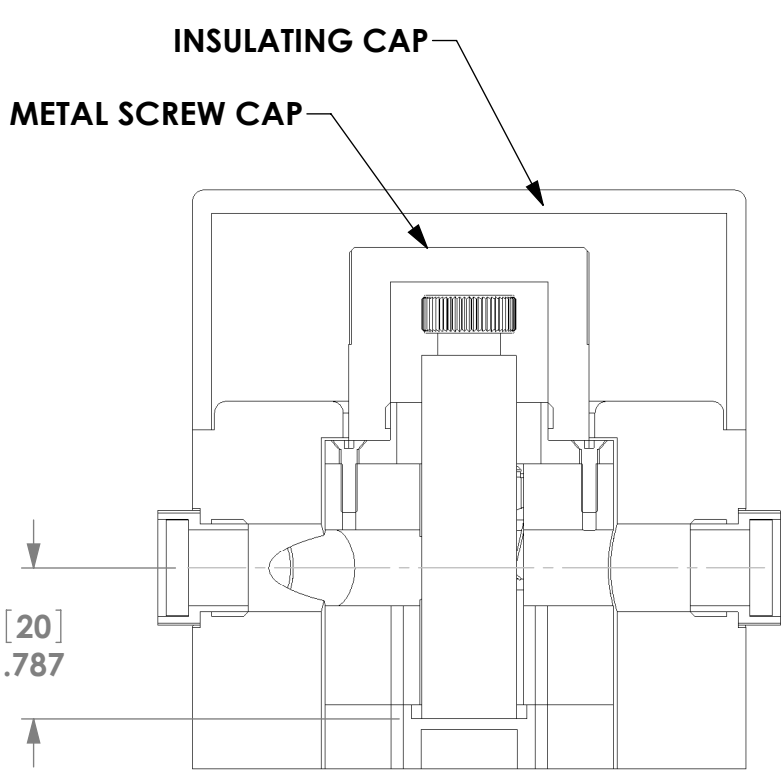
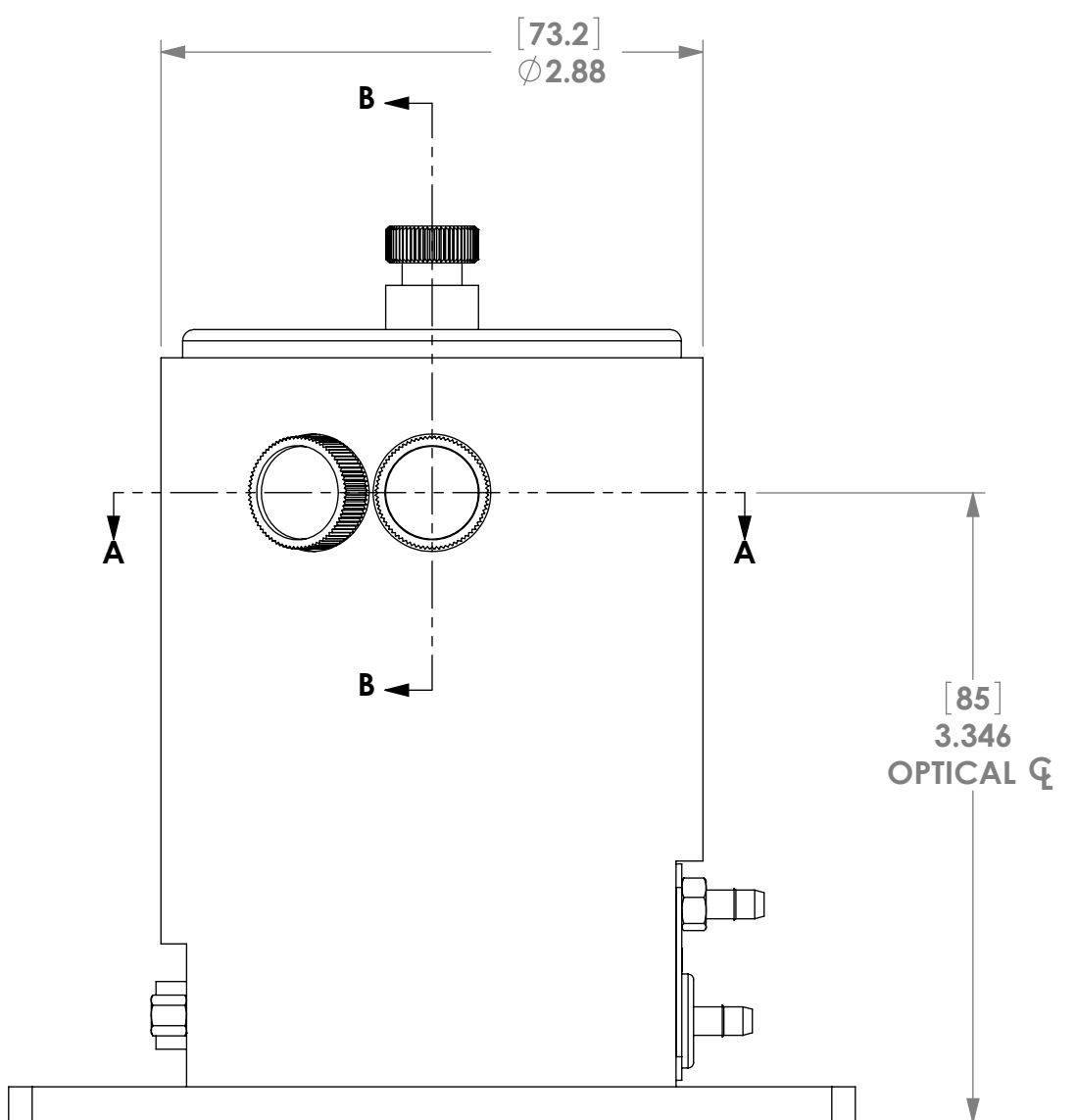
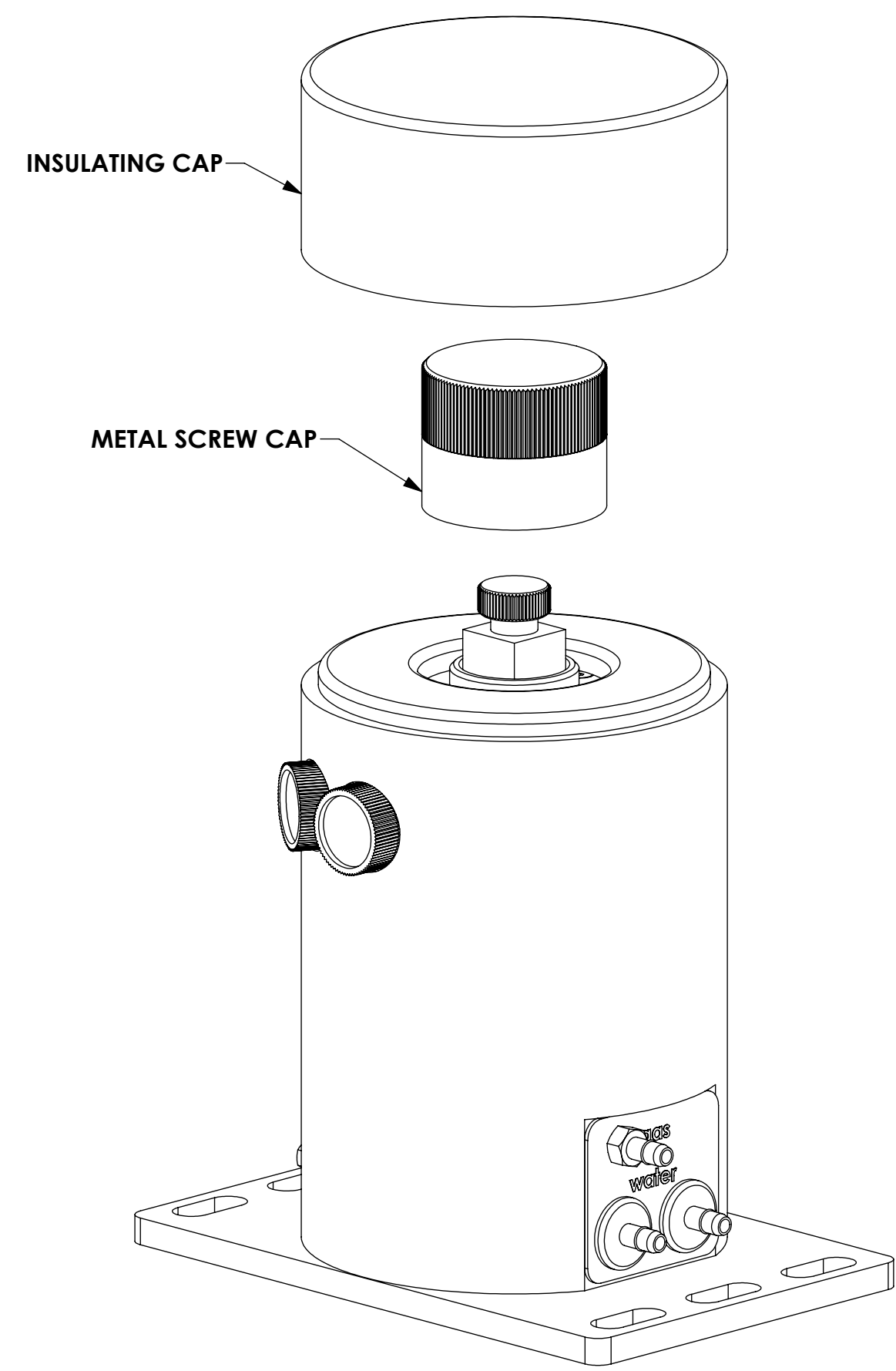


SECTION A-A



SECTION B-B



<small>THIS DOCUMENT CONTAINS PROPRIETARY INFORMATION AND MAY NOT BE REPRODUCED OR DISCLOSED IN WHOLE OR IN PART WITHOUT WRITTEN AUTHORIZATION FROM QUANTUM NORTHWEST</small>		QUANTUM NORTHWEST SPOKANE WASHINGTON	
<small>DIMENSIONS ARE IN INCHES UNLESS OTHERWISE NOTED TOLERANCES ARE:</small> DECIMALS ANGLES .XX = ± .02 X° = ± 1° .XXX = ± .003		RND TLC ASSEMBLY	
APPROVALS DRAWN SCH ENG MFG	DATE 050208	SIZE C DWG NO. 25829	REV. 0
THIRD ANGLE		SCALE: 1:1 DO NOT SCALE OFF DRAWING	SHEET 1 OF 1