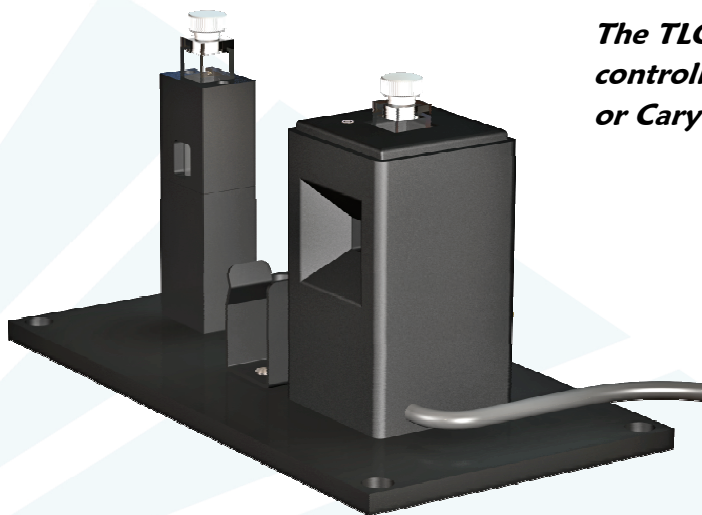


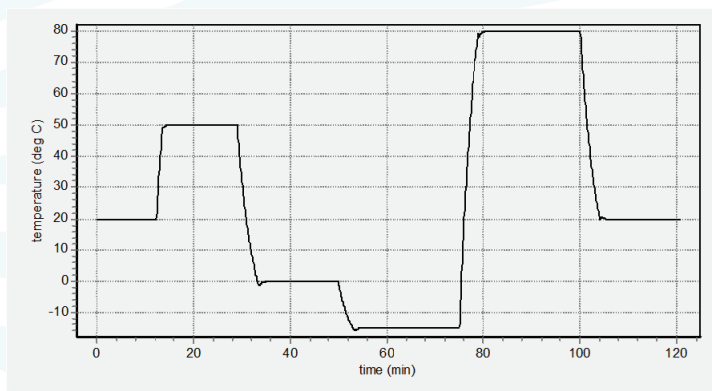
## Cuvette Holder for the Cary 100-300

### Extended Temperature Range



**The TLC 40/E/Cary300 is a Peltier-based temperature-controlled cuvette holder for the Agilent Cary 100, Cary 200 or Cary 300 UV-Vis dual-beam Spectrophotometer.**

- Rapid, precise control of the sample over an extended range of temperatures
- Calibrated using a NIST-traceable thermometer
- Includes base for mounting in the Cary 300 and a utility panel for connection of electric, water and gas
- Includes reference cuvette holder without temperature control
- Variable speed magnetic stirring
- Dry gas purge
- Thermometer probe input
- TC 125 Temperature Controller included



Each unit is provided with a performance plot.

### Specifications:

- Temperature Range\* -40 °C to +150 °C
- Temperature Precision ± 0.02 °C
- Optical Port Dimensions 10 mm high x 10 mm wide
- Probes Accepted Series 400 or Series 500
- Cuvettes Accepted:
  - Standard Cuvette Size\*\* 12.5 mm x 12.5 mm O.D.
  - Microcuvette z Height 8.5 mm (special order 15 mm)

\* Operation below the ambient dew point temperature requires dry gas purge. Operation below -10 °C requires dry gas purge and pre-cooled circulating fluid within 25 °C of the desired temperature. Operation below -25 °C requires the optional WJ-40 Windowed Jacket (see below), dry gas purge and pre-cooled circulating fluid.

\*\*A wide variety of acceptable cells of these outside dimensions, including macro, micro, semi-micro and ultra-micro cells, are available from cuvette manufacturers.

### Components included in each purchase

- TLC 40 Cuvette Holder
- TC 125 Temperature Controller
- Performance Plot and Calibration Data
- Magnetic Stir Bar, Tubing, Cables, Optical Slits, Opaque Lid
- T-App Temperature Application Software  
T-App permits external computer control of the TC 125 Temperature Controller, plotting cuvette holder or probe temperatures vs. time, and enabling programming for functions such as temperature ramping.
- BATH 100 Circulator  
The BATH 100 Circulator is a submersible pump, bucket, tubing and fittings used to circulate water or other fluid through the Peltier heat exchanger to draw out heat when the temperature is lowered.



TC 125 Temperature Controller

### Optional Components available

- APOST-1 Accessory Post  
APOST-1 is a plastic post and support clip that may be inserted in the top of the TLC 40 and used to hold tubes, probes and other hardware for special measurements.
- WJ-40 Windowed Jacket  
The WJ-40 is a plastic cover for the TLC 40 that holds two 1-inch diameter fused silica windows, permitting the passage of light. The WJ-40 provides insulation and prevents condensation on the cuvette when operating at low temperatures.